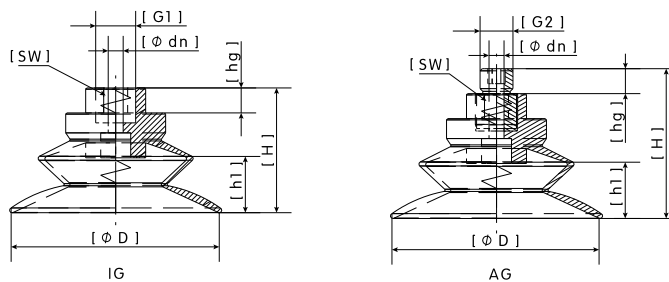


SMB | Bellow Cup

Dimensions



Ordering Information

Part No.	Ordering Code	D	G1	G2	dn	H	h1	hg	SW	Weight
SMB-22-02IG	74612201	24	G1/4	N/A	3.5	25	5.8	12	16	0.009
SMB-22-03IG	74612202	24	G3/8	N/A	3.5	41	5.8	9.5	22	0.041
SMB-22-02AG	74612203	24	N/A	G1/4	3.5	25	5.8	10	16	0.015
SMB-22-03AG	74612204	24	N/A	G3/8	3.5	25	5.8	10	17	0.022
SMB-30-02IG	74612205	34	G1/4	N/A	4	28	9	12	17	0.014
SMB-30-03IG	74612206	34	G3/8	N/A	4	44	9	9.5	22	0.045
SMB-30-02AG	74612207	34	N/A	G1/4	4	28	9	10	17	0.019
SMB-30-03AG	74612208	34	N/A	G3/8	4	28	9	10	17	0.026
SMB-40-02IG	74612209	45	G1/4	N/A	4	29	10	12	17	0.014
SMB-40-03IG	74612210	45	G3/8	N/A	4	45	10	9.5	22	0.045
SMB-40-02AG	74612211	45	N/A	G1/4	4	29	10	10	17	0.020
SMB-40-03AG	74612212	45	N/A	G3/8	4	29	10	10	17	0.027
SMB-50-02IG	74612213	56	G1/4	N/A	6	42	11.5	20	22	0.045
SMB-50-03IG	74612214	56	G3/8	N/A	6	37	11.5	15	22	0.032
SMB-50-02AG	74612215	56	N/A	G1/4	6	37	11.5	10	22	0.041
SMB-50-03AG	74612216	56	N/A	G3/8	6	37	11.5	10	22	0.047
SMB-60-02IG	74612217	67	G1/4	N/A	6	46.5	14.5	20	22	0.053
SMB-60-03IG	74612218	67	G3/8	N/A	6	41.5	14.5	15	22	0.040
SMB-60-02AG	74612219	67	N/A	G1/4	6	41.5	14.5	10	22	0.049
SMB-60-03AG	74612220	67	N/A	G3/8	6	41.5	14.5	10	22	0.055
SMB-80-02IG	74612221	89	G1/4	N/A	6	55	22	20	22	0.076
SMB-80-03IG	74612222	89	G3/8	N/A	6	50	22	15	22	0.063
SMB-80-02AG	74612223	89	N/A	G1/4	6	50	22	10	22	0.072
SMB-80-03AG	74612224	89	N/A	G3/8	6	50	22	10	22	0.078
SMB-100-02IG	74612225	110	G1/4	N/A	6	62	26	20	22	0.102
SMB-100-03IG	74612226	110	G3/8	N/A	6	57	26	15	22	0.088
SMB-100-02AG	74612227	110	N/A	G1/4	6	57	26	10	22	0.097
SMB-100-03AG	74612228	110	N/A	G3/8	6	57	26	10	22	0.103

Features

Material: Aluminum, NBR

Operation Temperature: -20 C...80 C

Description:

Robust and wear-resistant suction cup with 1.5 folds, made of NBR, special slot and inner support

Handling of thin steel sheets and aluminum sheets without deformation

Special slot on the bottom of the cup prevents the oily metal sheets from slipping and permits positioning in stamping process.

Part No.	Suction Force (N)	Pull-off Force (N)	Lateral Force (N)	Lateral Force on Oily Surface (N)
SMB-22	16	24	18	6
SMB-30	22	33	30	13
SMB-40	38	59	36	33
SMB-50	53	87	55	52
SMB-60	82	130	82	77
SMB-80	135	221	145	140
SMB-100	190	357	220	214

Note:

Force is measured under vacuum -0.6bar, dry or oily, smooth surface sheet metal;

Value will be various under different sheet metal surface and conditions;

Safety factor ($S \geq 3$) must be applied when designing

Relative Products

Suction Cup Adapter




SCA-AC

Angle Joint




EFA-SC0

Suction Cup Adapter



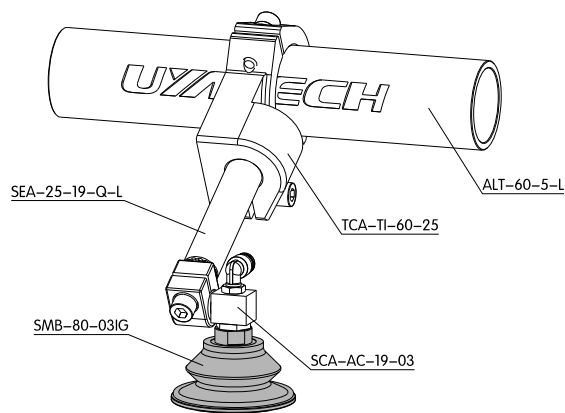
SCA-AB-19/SCA-F02

Spring Plunger



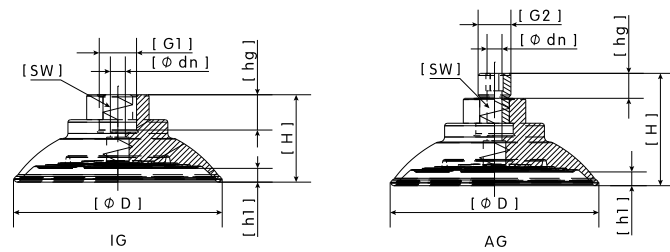
SPG-AB

Application



SMF | Flat Cup

Dimensions



Ordering Information

Part No.	Ordering Code	D	G1	G2	dn	H	h1	hg	SW	Weight
SMF-30-02IG	74613301	34	G1/4	N/A	4	20	3	12	17	0.014
SMF-30-03IG	74613302	34	G3/8	N/A	4	36	3	9	22	0.043
SMF-30-02AG	74613303	34	N/A	G1/4	4	20	3	10	17	0.017
SMF-30-03AG	74613304	34	N/A	G3/8	4	20	3	10	17	0.024
SMF-40-02IG	74613305	46	N/A	N/A	4	22	4	12	17	0.014
SMF-40-03IG	74613306	46	G3/8	N/A	4	38	4	9	22	0.045
SMF-40-02AG	74613307	46	N/A	G1/4	4	22	4	10	17	0.019
SMF-40-03AG	74613308	46	N/A	G3/8	4	22	4	10	17	0.026
SMF-50-02IG	74613309	56	G1/4	N/A	6	33	5	20	22	0.045
SMF-50-03IG	74613310	56	G3/8	N/A	6	28	5	15	22	0.031
SMF-50-02AG	74613311	56	N/A	G1/4	6	28	5	10	22	0.040
SMF-50-03AG	74613312	56	N/A	G3/8	6	28	5	10	22	0.046
SMF-60-02IG	74613313	67	G1/4	N/A	6	36	6	20	22	0.051
SMF-60-03IG	74613314	67	G3/8	N/A	6	31	6	15	22	0.037
SMF-60-02AG	74613315	67	N/A	G1/4	6	31	6	10	22	0.046
SMF-60-03AG	74613316	67	N/A	G3/8	6	31	6	10	22	0.052
SMF-80-02IG	74613317	89	G1/4	N/A	6	40	7.6	20	22	0.070
SMF-80-03IG	74613318	89	G3/8	N/A	6	35	7.6	15	22	0.056
SMF-80-02AG	74613319	89	N/A	G1/4	6	35	7.6	10	22	0.065
SMF-80-03AG	74613320	89	N/A	G3/8	6	35	7.6	10	22	0.071
SMF-100-02IG	74613321	110	G1/4	N/A	6	41	9.5	20	22	0.081
SMF-100-03IG	74613322	110	G3/8	N/A	6	36	9.5	15	22	0.067
SMF-100-02AG	74613323	110	N/A	G1/4	6	36	9.5	10	22	0.076
SMF-100-03AG	74613324	110	N/A	G3/8	6	36	9.5	10	22	0.082

Features

Material: Aluminum, brass

Operation Temperature: -20 C...80 C

Description:

Robust and wear-resistant suction cup with 1 folds, made of NBR, special slot and inner support

Handling of thin steel sheets and aluminum sheets without deformation

Special slot on the bottom of the cup prevents the oily metal sheets from slipping and permits positioning in stamping process.

Part No.	Suction Force (N)	Lateral Force (N)	Lateral Force on Oily Surface (N)
SMF-30	38	30	28
SMF-40	69	52	50
SMF-50	100	80	76
SMF-60	150	105	85
SMF-80	272	205	180
SMF-100	430	310	300

Note:

Force is measured under vacuum -0.6bar, dry or oily, smooth surface sheet metal;

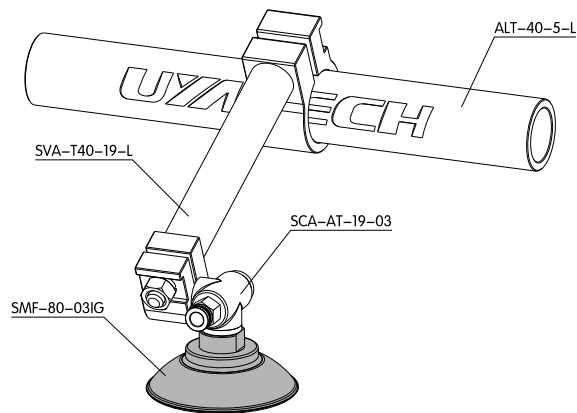
Value will be various under different sheet metal surface and conditions;

Safety factor (S ≥ 3) must be applied when designing

Relative Products



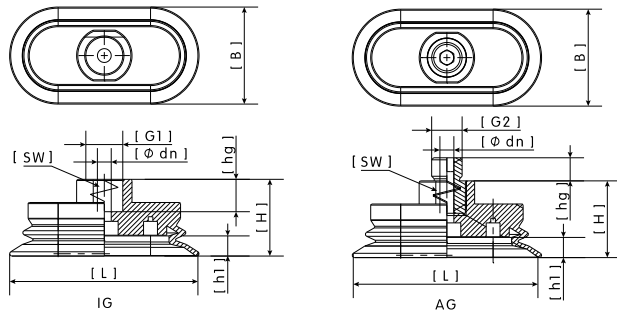
Application



SMOB | Oval Bellow Cup



Dimensions



Ordering Information

Part No.	Ordering Code	L	B	G1	G2	dn	H	h1	hg	SW	Weight
SMOB-60x30-02IG	74632201	63	33	G1/4	N/A	6	34.5	7	8	17	0.057
SMOB-60x30-03IG	74632202	63	33	G3/8	N/A	6	35	7	9	22	0.070
SMOB-60x30-02AG	74632203	63	33	N/A	G1/4	5	27	7	8	17	0.049
SMOB-60x30-03AG	74632204	63	33	N/A	G3/8	5	29	7	10	19	0.055
SMOB-80x40-02IG	74632205	83	43	G1/4	N/A	6	37.2	9	8	17	0.075
SMOB-80x40-03IG	74632206	83	43	G3/8	N/A	6	37.7	9	9	22	0.088
SMOB-80x40-02AG	74632207	83	43	N/A	G1/4	5	29.7	9	8	17	0.067
SMOB-80x40-03AG	74632208	83	43	N/A	G3/8	5	31.7	9	10	19	0.073
SMOB-110x55-02IG	74632209	114	59	G1/4	N/A	8	43	12	8	17	0.097
SMOB-110x55-03IG	74632210	114	59	G3/8	N/A	8	43.5	12	9	22	0.109
SMOB-110x55-02AG	74632211	114	59	N/A	G1/4	6	35.5	12	8	17	0.087
SMOB-110x55-03AG	74632212	114	59	N/A	G3/8	6	37.5	12	10	19	0.093

Features

Material: Aluminum, NBR

Operation Temperature: -20 C...80 C

Description:

Robust and wear-resistant oval suction cup with 1.5 folds, made of NBR, single swaling lip, special slot and inner support
Handling of thin steel sheets and aluminum sheets without deformation or deep drawing

Special slot on the bottom of the cup prevents the oily metal sheets from slipping and permits positioning in stamping process.

Part No.	Suction Force (N)	Pull-off Force (N)	Lateral Force (N)	Lateral Force on Oily Surface (N)
SMOB-60x30	38	70	73	42
SMOB-80x40	65	132	153	74
SMOB-110x55	110	234	299	124

Note:

Force is measured under vacuum -0.6bar, dry or oily, smooth surface sheet metal;

Value will be various under different sheet metal surface and conditions;

Safety factor (S≥3) must be applied when designing

Relative Products

Swivel Arm



SVA-R

Extension Arm



SEA-25-30-L

Suction Cup Adapter



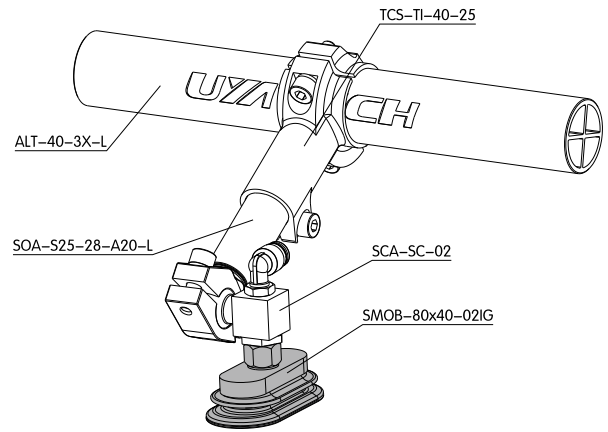
SCA-AC

Spring Plunger



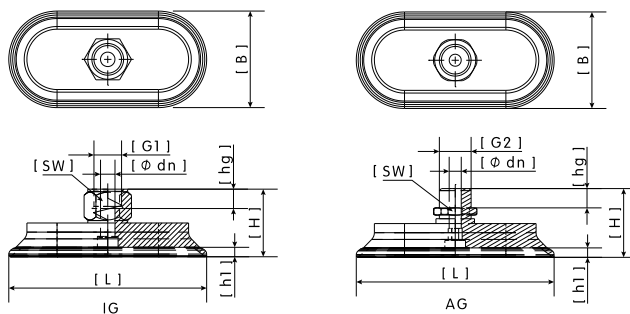
SPG-IN

Application



SMOF | Oval Flat Cup

Dimensions



Ordering Information

Part No.	Ordering Code	L	B	G1	G2	dn	H	h1	hg	SW	Weight
SMOF-50×16-02IG	74633301	52	18	G1/4	N/A	6	33	3	8	17	0.033
SMOF-50×16-03IG	74633302	52	18	G3/8	N/A	6	34	3	9	22	0.045
SMOF-50×16-02AG	74633303	52	18	N/A	G1/4	5	26	3	8	17	0.024
SMOF-50×16-03AG	74633304	52	18	N/A	G3/8	5	26	3	10	19	0.031
SMOF-60×23-02IG	74633305	64	25	G1/4	N/A	6	26	3	8	17	0.029
SMOF-60×23-03IG	74633306	64	25	G3/8	N/A	6	26	3	9	22	0.042
SMOF-60×23-02AG	74633307	64	25	N/A	G1/4	5	18	3	8	17	0.021
SMOF-60×23-03AG	74633308	64	25	N/A	G3/8	5	18	3	10	19	0.028
SMOF-90×30-02IG	74633309	94	34	G1/4	N/A	6	26	3	8	17	0.047
SMOF-90×30-03IG	74633310	94	34	G3/8	N/A	6	27	3	9	22	0.060
SMOF-90×30-02AG	74633311	94	34	N/A	G1/4	5	19	3	8	17	0.039
SMOF-90×30-03AG	74633312	94	34	N/A	G3/8	5	19	3	10	19	0.046
SMOF-80×40-02IG	74633313	85	43	G1/4	N/A	6	28	4	8	17	0.043
SMOF-80×40-03IG	74633314	85	43	G3/8	N/A	6	28	4	9	22	0.055
SMOF-80×40-02AG	74633315	85	43	N/A	G1/4	5	20	4	8	17	0.034
SMOF-80×40-03AG	74633316	85	43	N/A	G3/8	5	20	4	10	19	0.041
SMOF-100×50-02IG	74633317	106	54	G1/4	N/A	8	30	5	8	17	0.073
SMOF-100×50-03IG	74633318	106	54	G3/8	N/A	8	31	5	9	22	0.085
SMOF-100×50-02AG	74633319	106	54	N/A	G1/4	6	22	5	8	17	0.063
SMOF-100×50-03AG	74633320	106	54	N/A	G3/8	6	22	5	10	19	0.070
SMOF-120×60-02IG	74633321	128	65	G1/4	N/A	8	32	6	8	17	0.087
SMOF-120×60-03IG	74633322	128	65	G3/8	N/A	8	33	6	9	22	0.099
SMOF-120×60-02AG	74633323	128	65	N/A	G1/4	6	24	6	8	17	0.077
SMOF-120×60-03AG	74633323	128	65	N/A	G3/8	6	24	6	10	19	0.084

Features

Material: Aluminum, brass

Operation Temperature: -20 C...80 C

Description:

Robust and wear-resistant oval suction cup with 1.5 folds, made of NBR, single swaling lip, special slot and inner support
 Handling of thin steel sheets and aluminum sheets without deformation or deep drawing
 Special slot on the bottom of the cup prevents the oily metal sheets from slipping and permits positioning in stamping process.

Part No.	Suction Force (N)	Lateral Force (N)	Lateral Force on Oily Surface (N)
SMOF-60x23	31	24	12
SMOF-50x16	57	37	33
SMOF-90x30	122	96	64
SMOF-80x40	140	110	100
SMOF-100x50	217	181	121
SMOF-120x60	312	254	170

Note:

Force is measured under vacuum -0.6bar, dry or oily, smooth surface sheet metal;
 Value will be various under different sheet metal surface and conditions;
 Safety factor (S ≥ 3) must be applied when designing

Relative Products

Swivel Arm




SVA-R

Angle Joint




EFA-SCO

Extension Arm



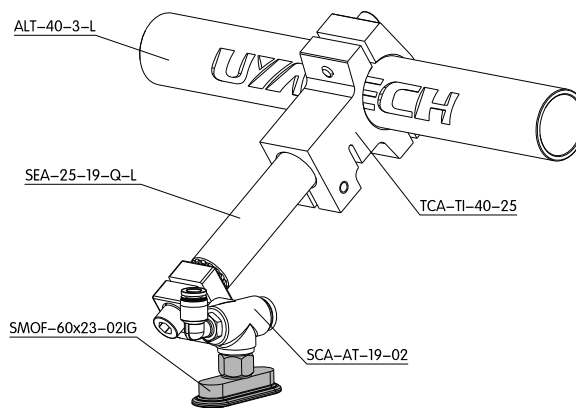
SEA-25-19-Q-L

Spring Plunger



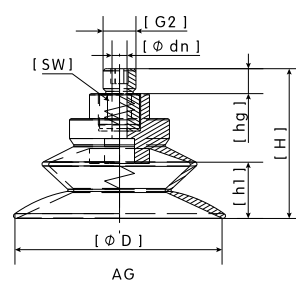
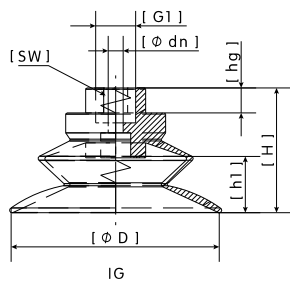
SPG-AB

Application



HSMB | Heat-resistant Bellow Cup

Dimensions



Ordering Information

Part No.	Ordering Code	D	G1	G2	dn	H	h1	hg	SW	Weight
HSMB-22-02IG	42742201	24	G1/4	N/A	3.5	25	5.8	12	16	0.009
HSMB-22-03IG	42742202	24	G3/8	N/A	3.5	41	5.8	9.5	22	0.041
HSMB-22-02AG	42742203	24	N/A	G1/4	3.5	25	5.8	10	16	0.015
HSMB-22-03AG	42742204	24	N/A	G3/8	3.5	25	5.8	10	17	0.022
HSMB-30-02IG	42742205	34	G1/4	N/A	4	28	9	12	17	0.014
HSMB-30-03IG	42742206	34	G3/8	N/A	4	44	9	9.5	22	0.045
HSMB-30-02AG	42742207	34	N/A	G1/4	4	28	9	10	17	0.019
HSMB-30-03AG	42742208	34	N/A	G3/8	4	28	9	10	17	0.026
HSMB-40-02IG	42742209	45	G1/4	N/A	4	29	10	12	17	0.014
HSMB-40-03IG	42742210	45	G3/8	N/A	4	45	10	9.5	22	0.045
HSMB-40-02AG	42742211	45	N/A	G1/4	4	29	10	10	17	0.020
HSMB-40-03AG	42742212	45	N/A	G3/8	4	29	10	10	17	0.027
HSMB-50-02IG	42742213	56	G1/4	N/A	6	42	11.5	20	22	0.045
HSMB-50-03IG	42742214	56	G3/8	N/A	6	37	11.5	15	22	0.032
HSMB-50-02AG	42742215	56	N/A	G1/4	6	37	11.5	10	22	0.041
HSMB-50-03AG	42742216	56	N/A	G3/8	6	37	11.5	10	22	0.047
HSMB-60-02IG	42742217	67	G1/4	N/A	6	46.5	14.5	20	22	0.053
HSMB-60-03IG	42742218	67	G3/8	N/A	6	41.5	14.5	15	22	0.040
HSMB-60-02AG	42742219	67	N/A	G1/4	6	41.5	14.5	10	22	0.049
HSMB-60-03AG	42742220	67	N/A	G3/8	6	41.5	14.5	10	22	0.055
HSMB-80-02IG	42742221	89	G1/4	N/A	6	55	22	20	22	0.076
HSMB-80-03IG	42742222	89	G3/8	N/A	6	50	22	15	22	0.063
HSMB-80-02AG	42742223	89	N/A	G1/4	6	50	22	10	22	0.072
HSMB-80-03AG	42742224	89	N/A	G3/8	6	50	22	10	22	0.078
HSMB-100-02IG	42742225	110	G1/4	N/A	6	62	26	20	22	0.102
HSMB-100-03IG	42742226	110	G3/8	N/A	6	57	26	15	22	0.088
HSMB-100-02AG	42742227	110	N/A	G1/4	6	57	26	10	22	0.097
HSMB-100-03AG	42742228	110	N/A	G3/8	6	57	26	10	22	0.103

Features

Material: Aluminum, NBR

Operation Temperature: -20 C...200 C

Description:

Robust and wear-resistant suction cup with 1.5 folds, made of NBR, special slot and inner support

Handling of thin steel sheets and aluminum sheets without deformation

Special slot on the bottom of the cup prevents the oily metal sheets from slipping and permits positioning in stamping process.

Part No.	Suction Force (N)	Pull-off Force (N)	Lateral Force (N)	Lateral Force on Oily Surface (N)
HSMB-22	16	24	18	6
HSMB-30	22	33	30	13
HSMB-40	38	59	36	33
HSMB-50	53	87	55	52
HSMB-60	82	130	82	77
HSMB-80	135	221	145	140
HSMB-100	190	357	220	214

Note:

Force is measured under vacuum -0.6bar, dry or oily, smooth surface sheet metal;

Value will be various under different sheet metal surface and conditions;

Safety factor (S ≥ 3) must be applied when designing

Relative Products

Swivel Arm



SVA-R

Suction Cup Adapter



SCA-SC

Extension Arm



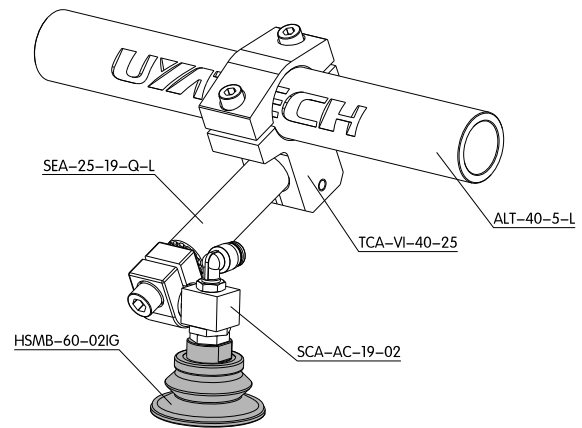
SEA-25-19-Q-L

Angle Joint



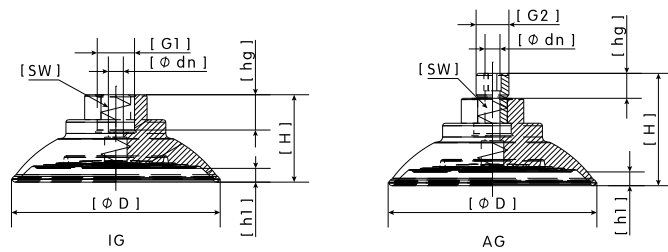
EFA-SCO

Application



HSMF | Heat-resistant Flat Cup

Dimensions



Ordering Information

Part No.	Ordering Code	D	G1	G2	dn	H	h1	hg	SW	Weight
HSMF-30-02IG	42743301	34	G1/4	N/A	4	20	3	12	17	0.014
HSMF-30-03IG	42743302	34	G3/8	N/A	4	36	3	9	22	0.043
HSMF-30-02AG	42743303	34	N/A	G1/4	4	20	3	10	17	0.017
HSMF-30-03AG	42743304	34	N/A	G3/8	4	20	3	10	17	0.024
HSMF-40-02IG	42743305	46	N/A	N/A	4	22	4	12	17	0.014
HSMF-40-03IG	42743306	46	G3/8	N/A	4	38	4	9	22	0.045
HSMF-40-02AG	42743307	46	N/A	G1/4	4	22	4	10	17	0.019
HSMF-40-03AG	42743308	46	N/A	G3/8	4	22	4	10	17	0.026
HSMF-50-02IG	42743309	56	G1/4	N/A	6	33	5	20	22	0.045
HSMF-50-03IG	42743310	56	G3/8	N/A	6	28	5	15	22	0.031
HSMF-50-02AG	42743311	56	N/A	G1/4	6	28	5	10	22	0.040
HSMF-50-03AG	42743312	56	N/A	G3/8	6	28	5	10	22	0.046
HSMF-60-02IG	42743313	67	G1/4	N/A	6	36	6	20	22	0.051
HSMF-60-03IG	42743314	67	G3/8	N/A	6	31	6	15	22	0.037
HSMF-60-02AG	42743315	67	N/A	G1/4	6	31	6	10	22	0.046
HSMF-60-03AG	42743316	67	N/A	G3/8	6	31	6	10	22	0.052
HSMF-80-02IG	42743317	89	G1/4	N/A	6	40	7.6	20	22	0.070
HSMF-80-03IG	42743318	89	G3/8	N/A	6	35	7.6	15	22	0.056
HSMF-80-02AG	42743319	89	N/A	G1/4	6	35	7.6	10	22	0.065
HSMF-80-03AG	42743320	89	N/A	G3/8	6	35	7.6	10	22	0.071
HSMF-100-02IG	42743321	110	G1/4	N/A	6	41	9.5	20	22	0.081
HSMF-100-03IG	42743322	110	G3/8	N/A	6	36	9.5	15	22	0.067
HSMF-100-02AG	42743323	110	N/A	G1/4	6	36	9.5	10	22	0.076
HSMF-100-03AG	42743324	110	N/A	G3/8	6	36	9.5	10	22	0.082

Features

Material: Aluminum, brass

Operation Temperature: -20 C...200 C

Description:

Robust and wear-resistant suction cup with 1 folds, made of NBR, special slot and inner support

Handling of thin steel sheets and aluminum sheets without deformation

Special slot on the bottom of the cup prevents the oily metal sheets from slipping and permits positioning in stamping process.

Part No.	Suction Force (N)	Lateral Force (N)	Lateral Force on Oily Surface (N)
HSMF-30	38	30	28
HSMF-40	69	52	50
HSMF-50	100	80	76
HSMF-60	150	105	85
HSMF-80	272	205	180
HSMF-100	430	310	300

Note:

Force is measured under vacuum -0.6bar, dry or oily, smooth surface sheet metal;

Value will be various under different sheet metal surface and conditions;

Safety factor (S ≥ 3) must be applied when designing

Relative Products

Swivel Arm



SVA-R

Suction Cup Adapter



SCA-SC

Extension Arm



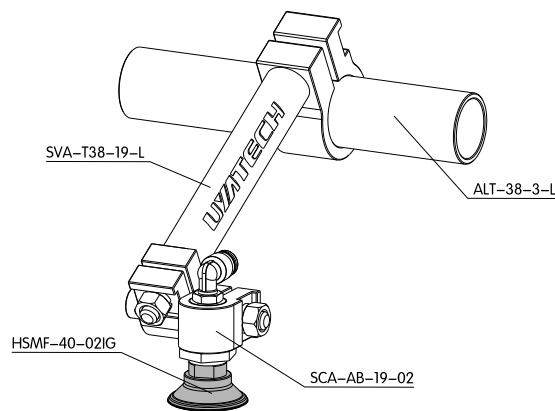
SEA-25-19-Q-L

Angle Joint



EFA-SCO

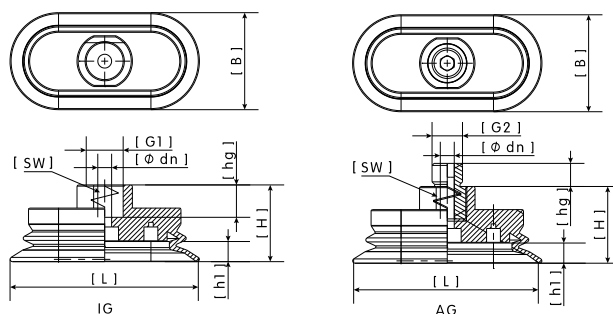
Application



HSMOB | Heat-resistant
Oval Bellow Cup



Dimensions



Ordering Information

Part No.	Ordering Code	L	B	G1	G2	dn	H	h1	hg	SW	Weight
HSMOB-60x30-02IG	42632201	63	33	G1/4	N/A	6	34.5	7	8	17	0.057
HSMOB-60x30-03IG	42632202	63	33	G3/8	N/A	6	35	7	9	22	0.070
HSMOB-60x30-02AG	42632203	63	33	N/A	G1/4	5	27	7	8	17	0.049
HSMOB-60x30-03AG	42632204	63	33	N/A	G3/8	5	29	7	10	19	0.055
HSMOB-80x40-02IG	42632205	83	43	G1/4	N/A	6	37.2	9	8	17	0.075
HSMOB-80x40-03IG	42632206	83	43	G3/8	N/A	6	37.7	9	9	22	0.088
HSMOB-80x40-02AG	42632207	83	43	N/A	G1/4	5	29.7	9	8	17	0.067
HSMOB-80x40-03AG	42632208	83	43	N/A	G3/8	5	31.7	9	10	19	0.073
HSMOB-110x55-02IG	42632209	114	59	G1/4	N/A	8	43	12	8	17	0.097
HSMOB-110x55-03IG	42632210	114	59	G3/8	N/A	8	43.5	12	9	22	0.109
HSMOB-110x55-02AG	42632211	114	59	N/A	G1/4	6	35.5	12	8	17	0.087
HSMOB-110x55-03AG	42632212	114	59	N/A	G3/8	6	37.5	12	10	19	0.093

Features

Material: Aluminum, Heat resistant rubber

Operation Temperature: -20 C...200 C

Description:

Robust and wear-resistant oval suction cup with 1.5 folds, made of heat resistant rubber, single swaling lip, special slot and inner support

Handling of thin steel sheets and aluminum sheets without deformation or deep drawing

Special slot on the bottom of the cup prevents the oily metal sheets from slipping and permits positioning in stamping process.

Part No.	Suction Force (N)	Pull-off Force (N)	Lateral Force (N)	Lateral Force on Oily Surface (N)
HSMOB-60x30	38	70	73	42
HSMOB-80x40	65	132	153	74
HSMOB-110x55	110	234	299	124

Note:

Force is measured under vacuum -0.6bar, dry or oily, smooth surface sheet metal;

Value will be various under different sheet metal surface and conditions;

Safety factor (S ≥ 3) must be applied when designing

Relative Products

Swivel Arm



SVA-R

Extension Arm



SEA-25-19-Q-L

Suction Cup Adapter



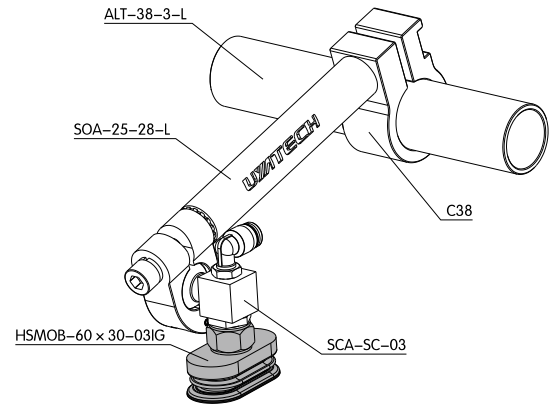
SCA-SC

Angle Joint



EFA-SCO

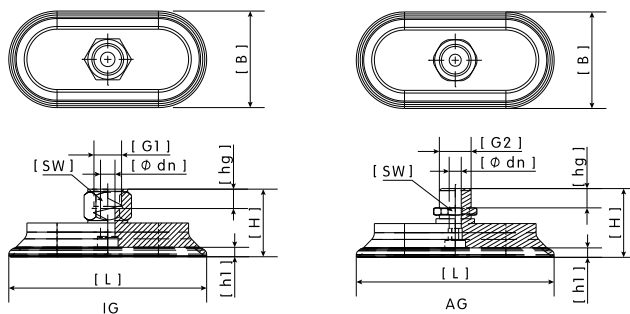
Application



HSMOF | Heat-resistant
Oval Flat Cup



Dimensions



Ordering Information

Part No.	Ordering Code	L	B	G1	G2	dn	H	h1	hg	SW	Weight
HSMOF-50×16-02IG	42633301	52	18	G1/4	N/A	6	33	3	8	17	0.033
HSMOF-50×16-03IG	42633302	52	18	G3/8	N/A	6	34	3	9	22	0.045
HSMOF-50×16-02AG	42633303	52	18	N/A	G1/4	5	26	3	8	17	0.024
HSMOF-50×16-03AG	42633304	52	18	N/A	G3/8	5	26	3	10	19	0.031
HSMOF-60×23-02IG	42633305	64	25	G1/4	N/A	6	26	3	8	17	0.029
HSMOF-60×23-03IG	42633306	64	25	G3/8	N/A	6	26	3	9	22	0.042
HSMOF-60×23-02AG	42633307	64	25	N/A	G1/4	5	18	3	8	17	0.021
HSMOF-60×23-03AG	42633308	64	25	N/A	G3/8	5	18	3	10	19	0.028
HSMOF-90×30-02IG	42633309	94	34	G1/4	N/A	6	26	3	8	17	0.047
HSMOF-90×30-03IG	426333010	94	34	G3/8	N/A	6	27	3	9	22	0.060
HSMOF-90×30-02AG	42633311	94	34	N/A	G1/4	5	19	3	8	17	0.039
HSMOF-90×30-03AG	42633312	94	34	N/A	G3/8	5	19	3	10	19	0.046
HSMOF-80×40-02IG	42633313	85	43	G1/4	N/A	6	28	4	8	17	0.043
HSMOF-80×40-03IG	42633314	85	43	G3/8	N/A	6	28	4	9	22	0.055
HSMOF-80×40-02AG	42633315	85	43	N/A	G1/4	5	20	4	8	17	0.034
HSMOF-80×40-03AG	42633316	85	43	N/A	G3/8	5	20	4	10	19	0.041
HSMOF-100×50-02IG	42633317	106	54	G1/4	N/A	8	30	5	8	17	0.073
HSMOF-100×50-03IG	42633318	106	54	G3/8	N/A	8	31	5	9	22	0.085
HSMOF-100×50-02AG	42633319	106	54	N/A	G1/4	6	22	5	8	17	0.063
HSMOF-100×50-03AG	42633320	106	54	N/A	G3/8	6	22	5	10	19	0.070
HSMOF-120×60-02IG	42633321	128	65	G1/4	N/A	8	32	6	8	17	0.087
HSMOF-120×60-03IG	42633322	128	65	G3/8	N/A	8	33	6	9	22	0.099
HSMOF-120×60-02AG	42633323	128	65	N/A	G1/4	6	24	6	8	17	0.077
HSMOF-120×60-03AG	42633324	128	65	N/A	G3/8	6	24	6	10	19	0.084

Features

Material: Aluminum, heat resistant rubber

Operation Temperature: -20 C...200 C

Description:

Robust and wear-resistant oval suction cup with 1.5 folds, made of heat resistant rubber, single swaling lip, special slot and inner support
 Handling of thin steel sheets and aluminum sheets without deformation or deep drawing
 Special slot on the bottom of the cup prevents the oily metal sheets from slipping and permits positioning in stamping process.

Part No.	Suction Force (N)	Lateral Force (N)	Lateral Force on Oily Surface (N)
SMOF-60x23	31	24	12
SMOF-50x16	57	37	33
SMOF-90x30	122	96	64
SMOF-80x40	140	110	100
SMOF-100x50	217	181	121
SMOF-120x60	312	254	170

Note:

Force is measured under vacuum -0.6bar, dry or oily, smooth surface sheet metal;
 Value will be various under different sheet metal surface and conditions;
 Safety factor (S ≥ 3) must be applied when designing

Relative Products

Swivel Arm



SVA-R

Suction Cup Adapter



SCA-SC

Extension Arm



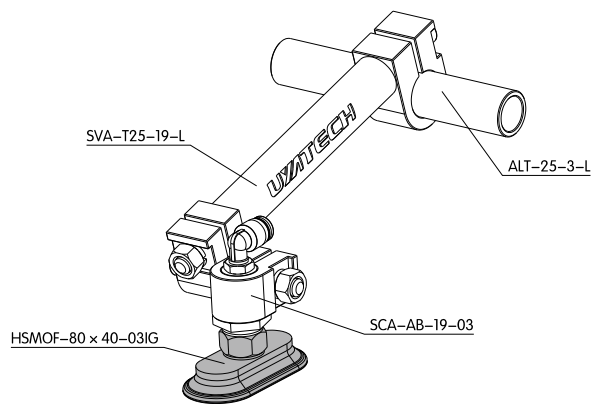
SEA-25-19-Q-L

Angle Joint



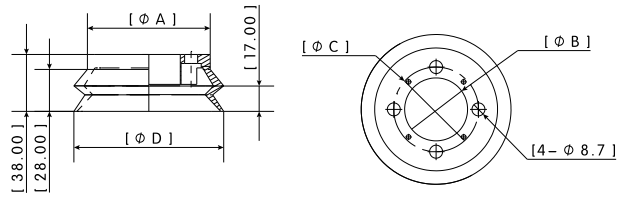
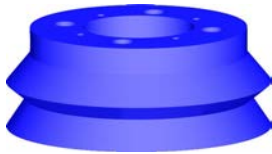
EFA-SCO

Application



DBB | Doublank Suction Cup

Dimensions



Ordering Information

Part No.	Ordering Code	D	A	B	C	Weight
DBB-100-S42	31222201	100	82	42	56.5	0.12
DBB-130-S42	31222202	130	114	75	89.5	0.23

Features

Material: Aluminum, NBR

Working Temperature: -20 C...200 C

Description: Assembly on DBD sensor bracket for double blank detection with DBD sensor

Relative Products

DBD Bracket (with cup)



DBB-ACA

DBD Bracket (with cup)



DBB-OTA

DBD Bracket Changer



DBB-QCK-19

Swivel Arm



SVA-R

Application

