

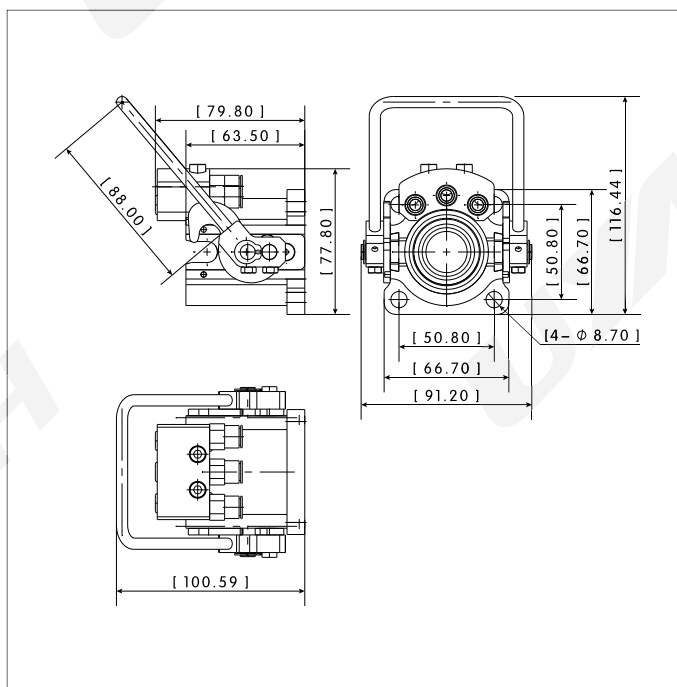
HDC-S-25-A3 |  $\phi 25$  Tool Changer Housing



Features

- Material: Aluminum, steel, PU
- Operation Temperature: -20 C...80 C
- Surface Treatment : Anodized with sand blasting; blackening
- Weight: 0.632Kg
- Function: Working with bayonet ADC-25-A3 to realize quick change

Dimensions



Ordering Information

Part No.	Ordering Code	Description
HDC-S-25-A3	42312301	Housing main body with 3 air ports manifold
HDC-S-25-00	42312302	Housing main body
H25-A3	42312305	3 air ports manifold for Housing

Relative Products

Housing Manifold

H25-A3

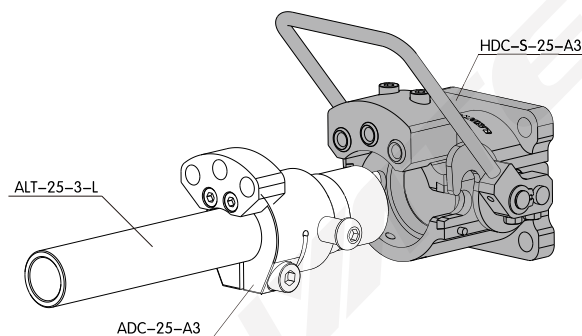
$\phi 25$  Al. Tube

ALT-25-3-L

$\phi 25$  Bayonet

ADC-25-A3

Application



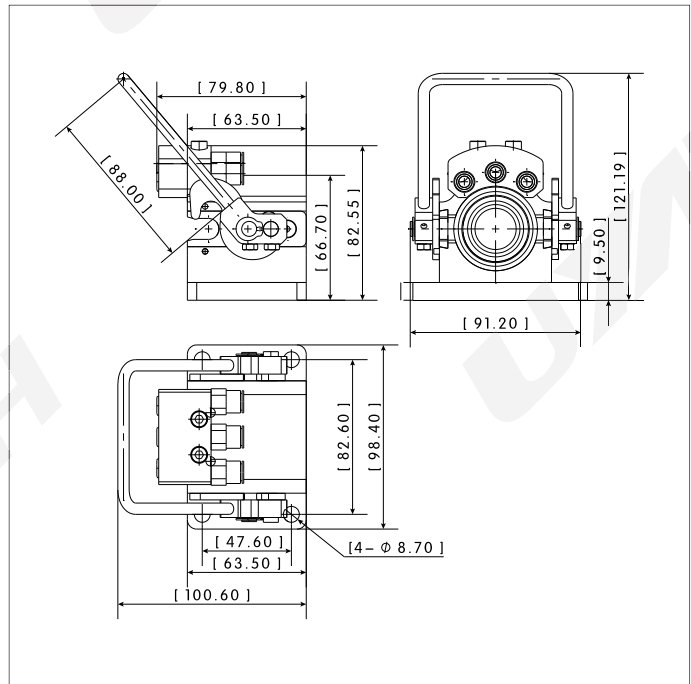
HDC-B-25-A3 |  $\phi 25$  Tool Changer Housing



Features

- Material: Aluminum, steel, PU
- Operation Temperature: -20 C...80 C
- Surface Treatment : Anodized with sand blasting; blackening
- Weight: 0.834Kg
- Function: Working with bayonet ADC-25-A3 to realize quick change

Dimensions



Ordering Information

Part No.	Ordering Code	Description
HDC-B-25-A3	42312303	Housing main body with 3 air ports manifold
HDC-B-25-00	42312304	Housing main body
H25-A3	42312305	3 air ports manifold for Housing

Relative Products

Housing Manifold

H25-A3

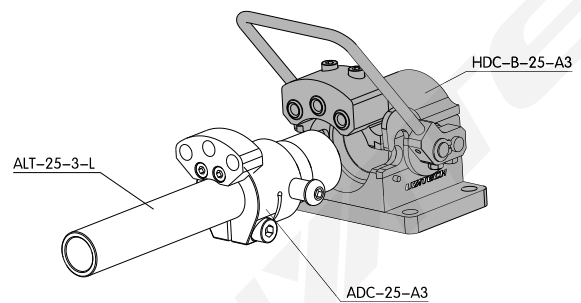
$\phi 25$  Al. Tube

ALT-25-3-L

$\phi 25$  Bayonet

ADC-25-A3

Application



ADC-25-A3 |  $\phi 25$  Tool Changer Bayonet



Features

Material: Aluminum, steel, PU

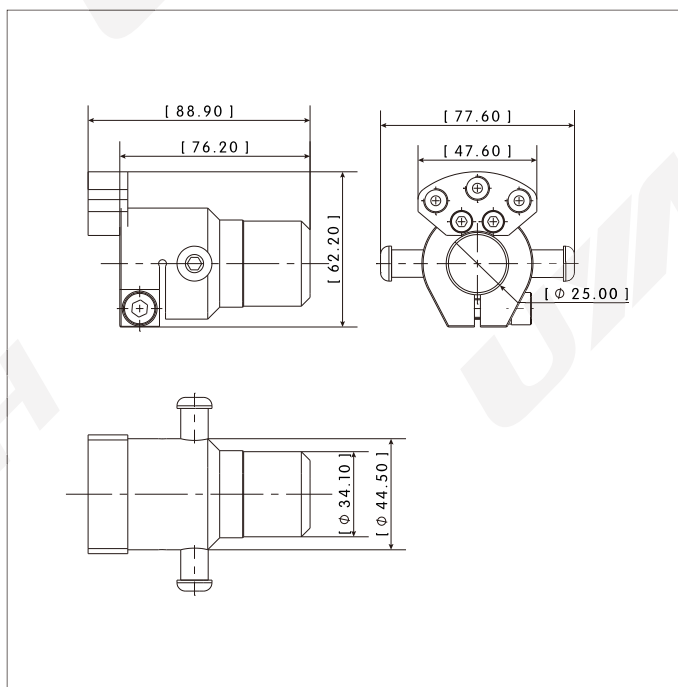
Operation Temperature: -20 C...80 C

Surface Treatment : Anodized with sand blasting; blackening

Weight: 0.834Kg

Function: Working with housing HDC-S-25-A3 or HDC-B-25-A3 to realize quick change

Dimensions




Ordering Information

Part No.	Ordering Code	Description
ADC-25-A3	21312301	Bayonet main body with 3 air ports manifold
ADC-25-00	21312302	Bayonet main body
A25-A3	21312303	3 air ports manifold for bayonet

Relative Products


Bayonet Manifold



A25-A3

---

$\phi 25$  Housing



HDC-S-25-A3

$\phi 25$  AL Tube



ALT-25-3-L

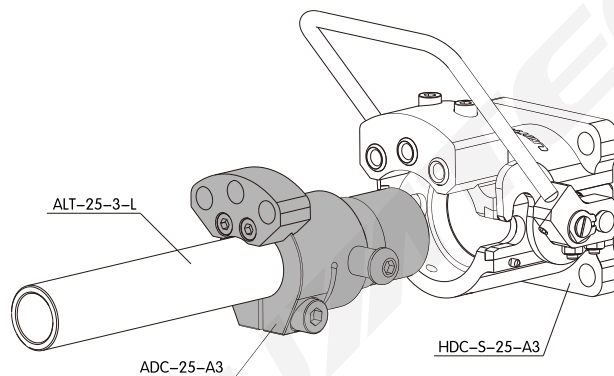
---

$\phi 25$  Housing



HDC-B-25-A3

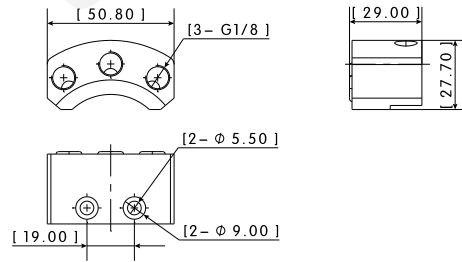
Application



H25-A3 | Manifold for  $\phi 25$  Tool Changer Housing



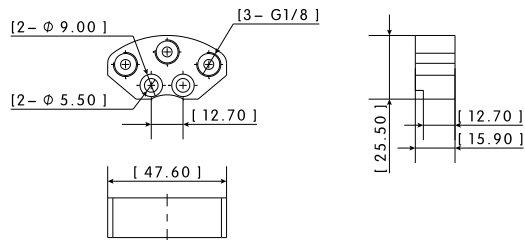
Dimensions



A25-A3 | Manifold for  $\phi 25$  Tool Changer Bayonet



Dimensions



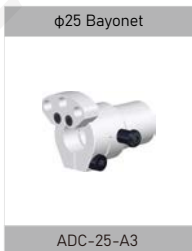
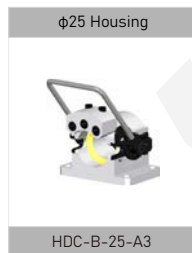
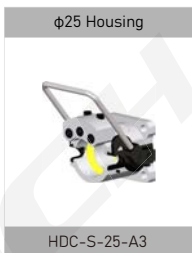
Features

Material: Aluminum  
 Operation Temperature:  $-20\text{ C} \dots 80\text{ C}$   
 Surface Treatment : Anodized with sand blasting  
 Function: Working with  $\phi 25$  tool changer to realize air way quick connection

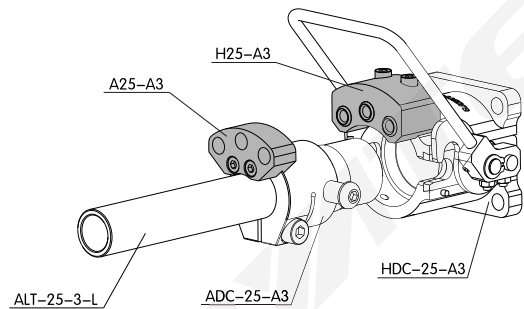
Ordering Information

Part No.	Ordering Code	Weight
H25-A3	42312305	0.076
A25-A3	21312303	0.037

Relative Products



Application



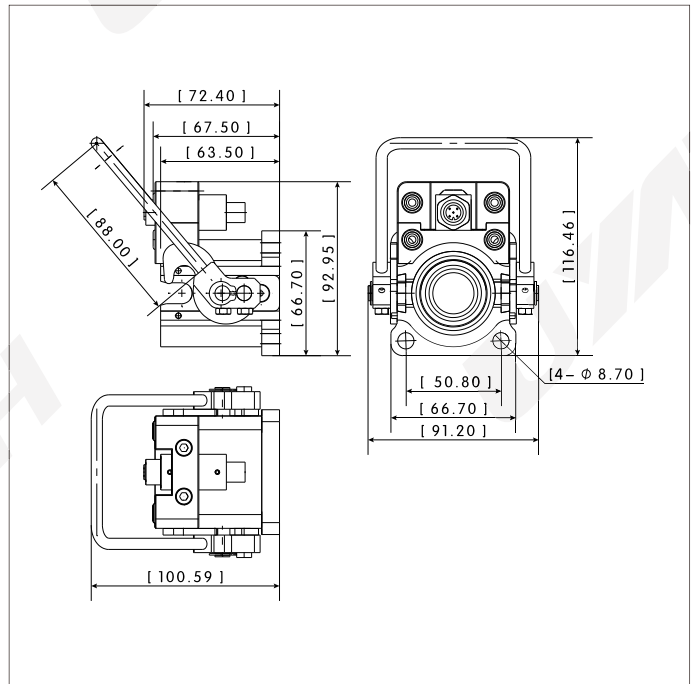
HDC-S-25-A4-E5 |  $\phi 25$  Tool Changer Housing



Features

- Material: Aluminum, steel, PU
- Operation Temperature: -20 C...80 C
- Surface Treatment : Anodized with sand blasting; blackening
- Weight: 0.834Kg
- Function: Working with bayonet ADC-25-A4-E5 to realize quick change

Dimensions




Ordering Information

Part No.	Ordering Code	Description
HDC-S-25-A4-E5	42312306	Housing main body with manifold and electric
HDC-S-25-00-00	42312302	Housing main body only
HDC-S-25-A4-00	42312308	Housing main body with 4 air ports manifold
HDC-S-25-00-E5	42312309	Housing main body with 5 pins connector
H25-A4	42312314	4 air ports manifold for Housing
H25/40-E5	42312307	5 pins connector for Housing


Relative Products

Housing Manifold




H25-A4

$\phi 25$  Bayonet




ADC-25-A4-E5

Housing Elec. Connector



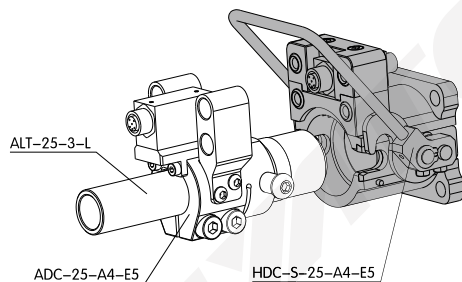
H25/40-E5

$\phi 25$  Al. Tube



ALT-25-3-L

Application



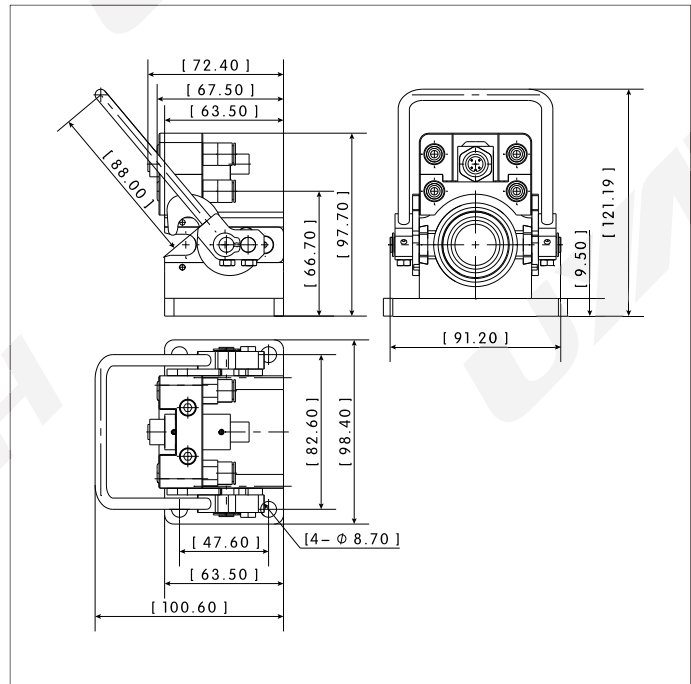
HDC-B-25-A4-E5 |  $\phi 25$  Tool Changer Housing



Features

- Material: Aluminum, steel, PU
- Operation Temperature: -20 C...80 C
- Surface Treatment : Anodized with sand blasting; blackening
- Weight: 0.87Kg
- Function: Working with bayonet ADC-25-A4-E5 to realize quick change

Dimensions



Ordering Information

Part No.	Ordering Code	Description
HDC-B-25-A4-E5	42312310	Housing main body with manifold and electric
HDC-B-25-00-00	42312304	Housing main body only
HDC-B-25-A4-00	42312312	Housing main body with 4 air ports manifold
HDC-B-25-00-E5	42312313	Housing main body with 5 pins connector
H25-A4	42312314	4 air ports manifold for Housing
H25/40-E5	42312307	5 pins connector for Housing

Relative Products

Housing Manifold

H25-A4

$\phi 25$  Bayonet

ADC-25-A4-E5

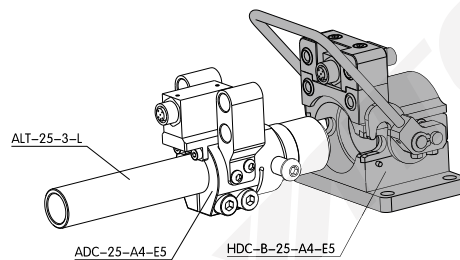
Housing Elec. Connector

H25/40-E5

$\phi 25$  Al. Tube

ALT-25-3-L

Application



ADC-25-A4-E5 |  $\phi 25$  Tool Changer Bayonet



Features

Material: Aluminum, steel

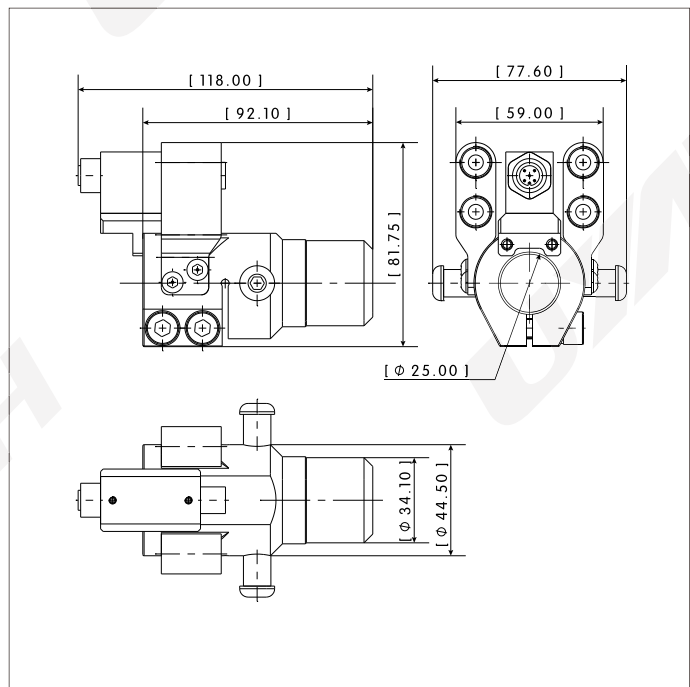
Operation Temperature: -20 C...80 C

Surface Treatment : Anodized with sand blasting; blackening

Weight: 0.34Kg

Function: Working with housing HDC-S-25-A4-E5 or HDC-B-25-A4-E5 to realize quick change

Dimensions



Ordering Information

Part No.	Ordering Code	Description
ADC-25-A4-E5	21312304	Bayonet main body with manifold and electric
ADC-25-00-00	21312305	Bayonet main body only
ADC-25-A4-00	21312306	Bayonet main body with 4 air ports manifold
ADC-25-00-E5	21312307	Bayonet main body with 5 pins connector
A-A4	21312308	4 air ports manifold for Bayonet
A25-E5	21312313	5 pins connector for Bayonet

Relative Products

Bayonet Manifold

A-A4

---

$\phi 25$  Housing

HDC-S-25-A4-E5

$\phi 25$  AL Tube

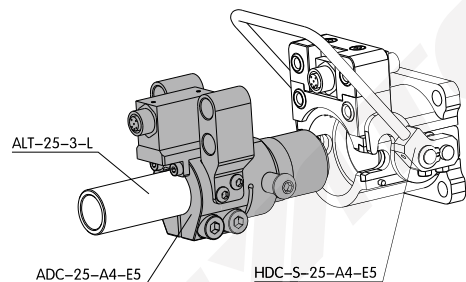
ALT-25-3-L

---

$\phi 25$  Housing

HDC-B-25-A4-E5

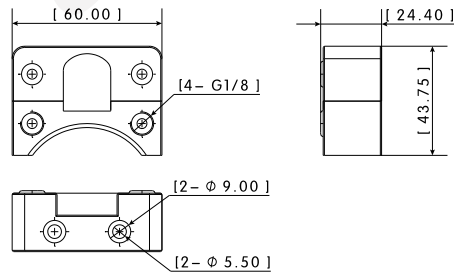
Application



H25-A4 | Manifold for  $\phi 25$  Tool Changer Housing



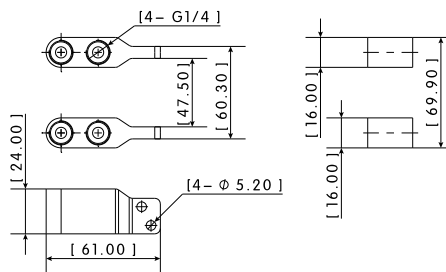
Dimensions



A-A4 | Manifold for  $\phi 25/\phi 40$  Tool Changer Bayonet



Dimensions



Features

- Material: Aluminum
- Operation Temperature:  $-20\text{ C} \dots 80\text{ C}$
- Surface Treatment : Anodized with sand blasting
- Function: Working with tool changer to realize air way quick connection

Ordering Information

Part No.	Ordering Code	Weight
H25-A4	42312314	0.089
A-A4	21312308	0.110

Relative Products

$\phi 25$  Housing

HDC-S-25-A4-E5

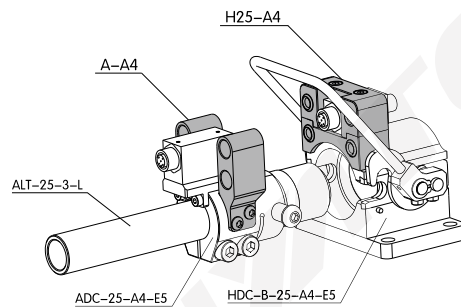
$\phi 25$  Bayonet

ADC-25-A4-E5

$\phi 25$  Housing

HDC-B-25-A4-E5

Application

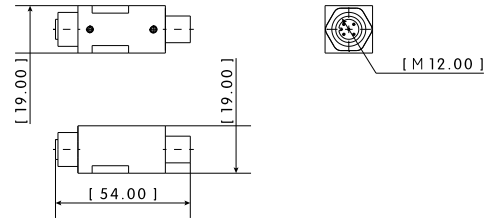




H25/40-E5 | Elec. Connector for  $\phi 25/\phi 40$  Tool Changer Housing



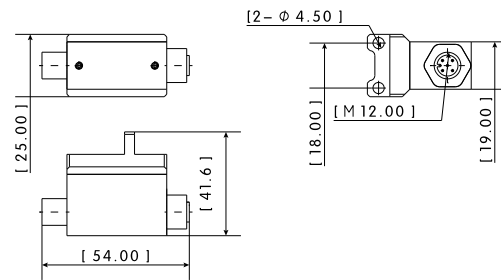
Dimensions



A25-E5 | Elec. Connector for  $\phi 25$  Tool Changer Bayonet



Dimensions



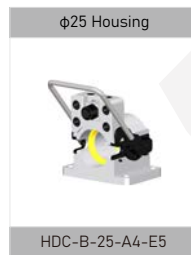
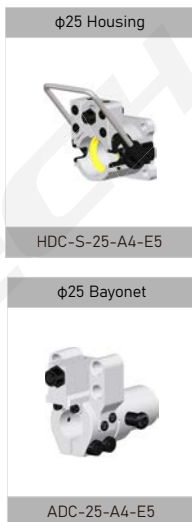
Features

Material: Aluminum  
 Operation Temperature:  $-20\text{ C} \dots 80\text{ C}$   
 Surface Treatment : Anodized with sand blasting  
 Function: Working with tool changer to realize electrical quick connection

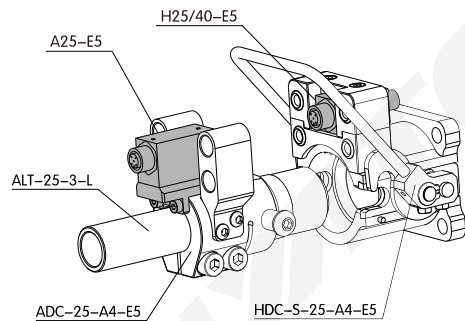
Ordering Information

Part No.	Ordering Code	Weight
H25/40-E5	42312307	0.053
A25-E5	21312313	0.096

Relative Products



Application



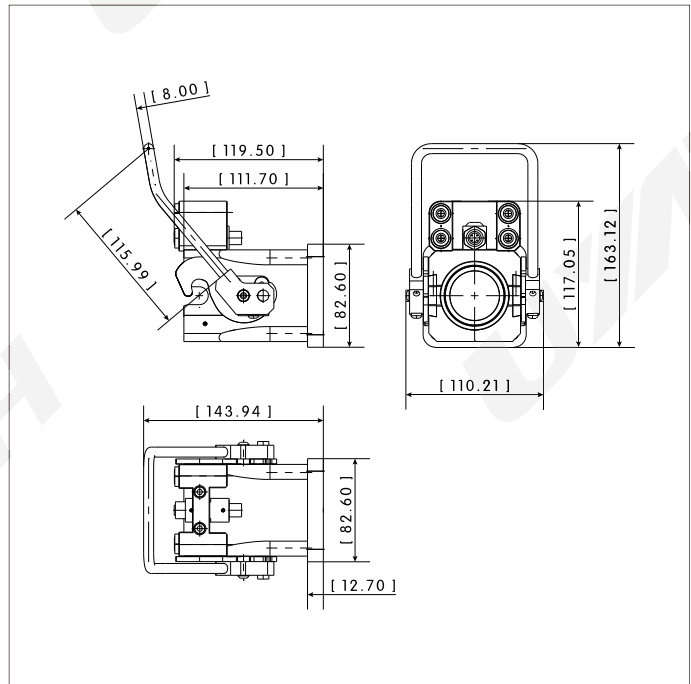
HDC-S-40-A4-E5 |  $\phi 40$  Tool Changer Housing



Features

- Material: Aluminum, steel, PU
- Operation Temperature: -20 C...80 C
- Surface Treatment : Anodized with sand blasting; blackening
- Weight: 1.76Kg
- Function: Working with bayonet ADC-40-A4-E5 to realize quick change

Dimensions



Ordering Information

Part No.	Ordering Code	Description
HDC-S-40-A4-E5	42312315	Housing main body with manifold and electric
HDC-S-40-00-00	42312316	Housing main body only
HDC-S-40-A4-00	42312317	Housing main body with 4 air ports manifold
HDC-S-40-00-E5	42312318	Housing main body with 5 pins connector
H40-A4	42312323	4 air ports manifold for Housing
H25/40-E5	42312307	5 pins connector for Housing

Relative Products

Housing Manifold

H40-A4

Housing Elec. Connector

H25/40-E5

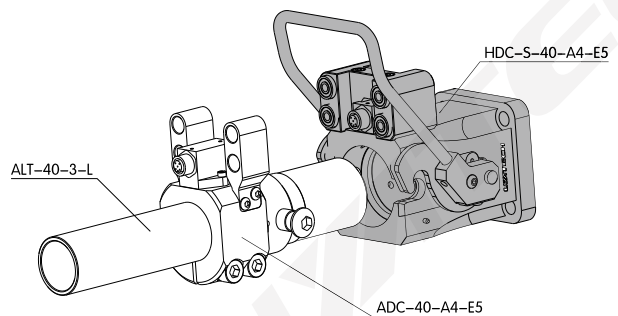
$\phi 40$  Bayonet

ADC-40-A4-E5

$\phi 40$  Al. Tube

ALT-40-3-L

Application



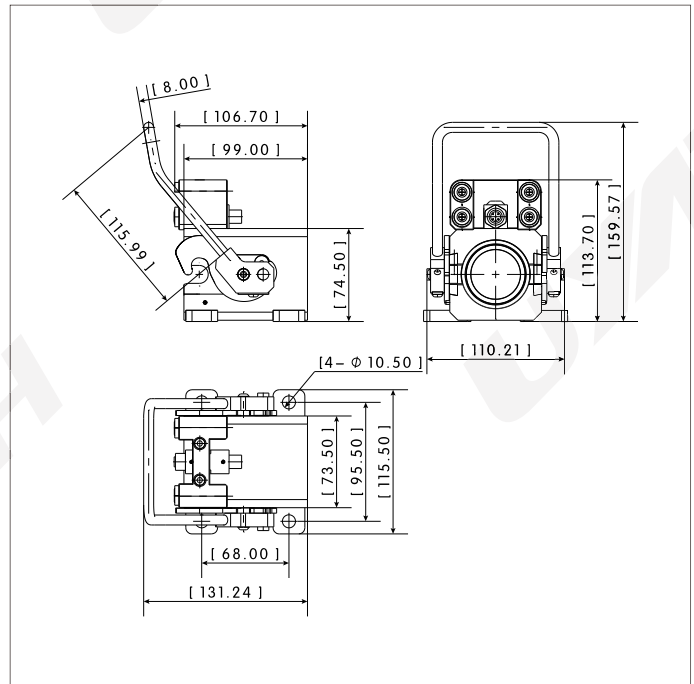
HDC-S-40-A4-E5 |  $\phi 40$  Tool Changer Housing



Features

- Material: Aluminum, steel, PU
- Operation Temperature: -20 C...80 C
- Surface Treatment : Anodized with sand blasting; blackening
- Weight: 1.88Kg
- Function: Working with bayonet ADC-40-A4-E5 to realize quick change

Dimensions



Ordering Information

Part No.	Ordering Code	Description
HDC-B-40-A4-E5	42312319	Housing main body with manifold and electric
HDC-B-40-00-00	42312320	Housing main body only
HDC-B-40-A4-00	42312321	Housing main body with 4 air ports manifold
HDC-B-40-00-E5	42312322	Housing main body with 5 pins connector
H40-A4	42312323	4 air ports manifold for Housing
H25/40-E5	42312307	5 pins connector for Housing

Relative Products

Housing Manifold

H40-A4

Housing Elec. Connector

H25/40-E5

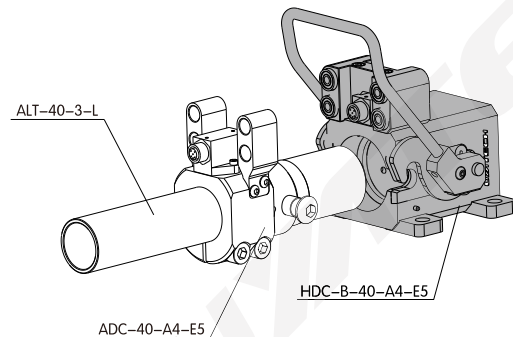
$\phi 40$  Bayonet

ADC-40-A4-E5

$\phi 40$  Al. Tube

ALT-40-3-L

Application



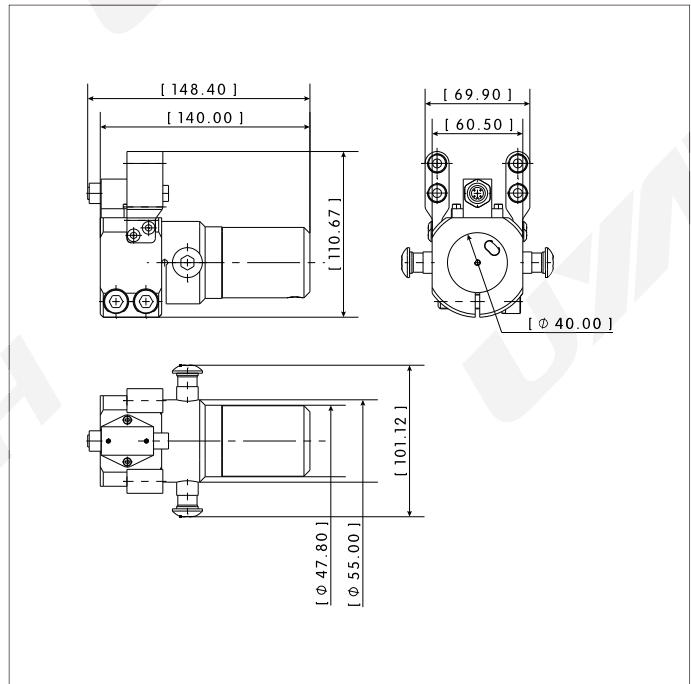
ADC-40-A4-E5 | 40 Tool Changer Bayonet



Features

- Material: Aluminum, steel
- Operation Temperature: -20 C...80 C
- Surface Treatment : Anodized with sand blasting; blackening
- Weight: 0.73Kg
- Function: Working with housing HDC-S-40-A4-E5 or HDC-B-40-A4-E5 to realize quick change

Dimensions



Ordering Information

Part No.	Ordering Code	Description
ADC-40-A4-E5	21312309	Bayonet main body with manifold and electric
ADC-40-00-00	21312310	Bayonet main body only
ADC-40-A4-00	21312311	Bayonet main body with 4 air ports manifold
ADC-40-00-E5	21312312	Bayonet main body with 5 pins connector
A-A4	21312308	4 air ports manifold for Bayonet
A40-E5	21312331	5 pins connector for Bayonet

Relative Products

Bayonet Manifold

A-A4

φ40 Housing

HDC-S-40-A4-E5

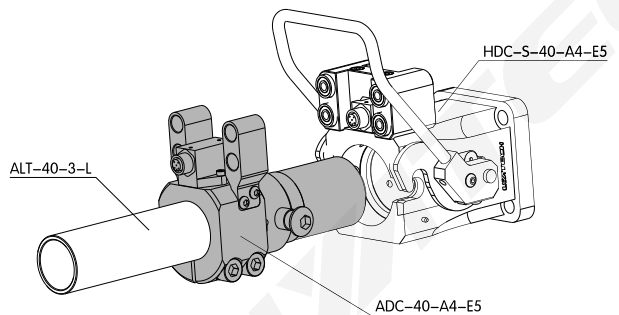
Bayonet Elec. Connector

A40-E5

φ40 Housing

HDC-B-40-A4-E5

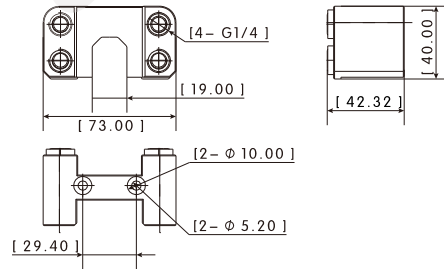
Application



H40-A4 | Manifold for  $\phi 40$  Tool Changer Housing



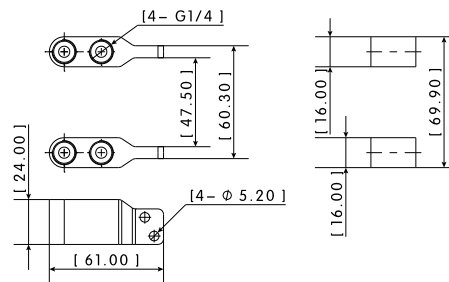
Dimensions



A-A4 | Manifold for  $\phi 25/\phi 40$  Tool Changer Bayonet



Dimensions



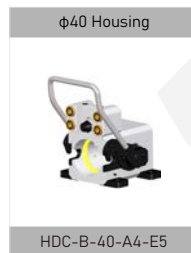
Features

- Material: Aluminum, brass
- Operation Temperature:  $-20\text{ C} \dots 80\text{ C}$
- Surface Treatment : Anodized with sand blasting
- Function: Working with tool changer to realize air way quick connection

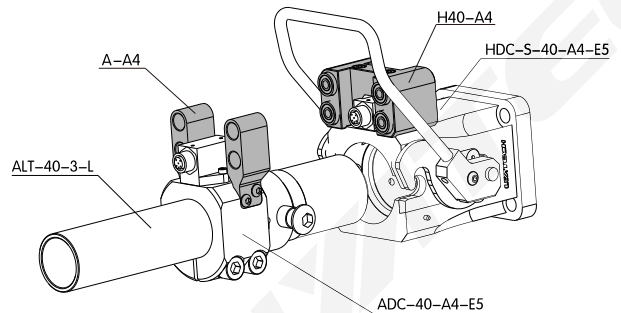
Ordering Information

Part No.	Ordering Code	Weight
H40-A4	42312323	0.20
A-A4	21312308	0.09

Relative Products



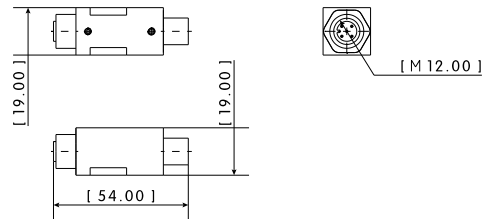
Application



H25/40-E5 | Elec. Connector for  $\phi 25/\phi 40$  Tool Changer Bayonet



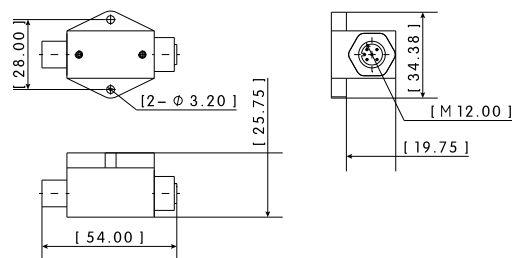
Dimensions



A40-E5 | Elec. Connector for  $\phi 40$  Tool Changer Bayonet



Dimensions



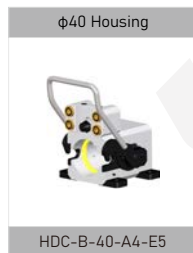
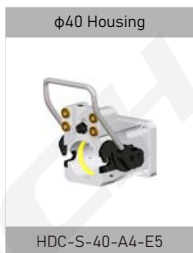
Features

Material: Aluminum  
 Operation Temperature:  $-20\text{ C} \dots 80\text{ C}$   
 Surface Treatment : Anodized with sand blasting  
 Function: Working with tool changer to realize electrical quick connection

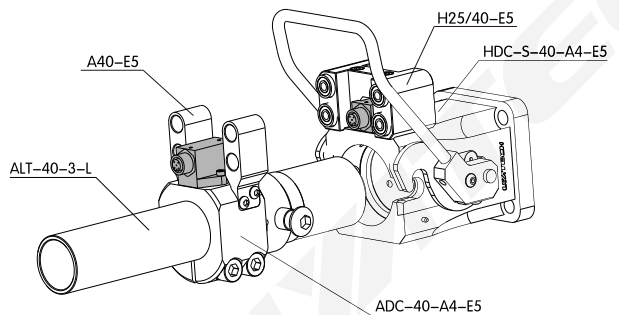
Ordering Information

Part No.	Ordering Code	Weight
H25/40-E5	42312307	0.053
A40-E5	21312331	0.069

Relative Products



Application



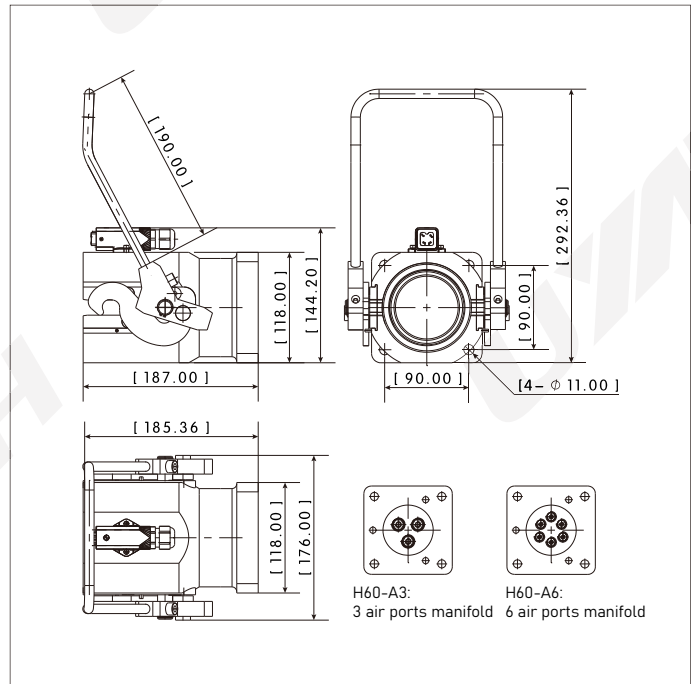
HDC-60 |  $\phi 60$  Tool Changer Housing



Features

- Material: Aluminum, steel, brass, PU
- Operation Temperature: -20 C...80 C
- Surface Treatment : Anodized with sand blasting; blackening
- Weight: 5.63Kg
- Function: Working with bayonet ADC-60 to realize quick change

Dimensions



Ordering Information

Part No.	Ordering Code	Description
HDC-60-A3-E4	42312324	Housing main body with 3 air ports manifold and 4 pins electrical connector
HDC-60-A6-E4	42312325	Housing main body with 6 air ports manifold and 4 pins electrical connector
HDC-60-00-00	42312326	Housing main body only
HDC-60-A3-00	42312327	Housing main body with 3 air ports manifold
HDC-60-A6-00	42312328	Housing main body with 6 air ports manifold
HDC-60-00-E4	42312329	Housing main body with 4 pins electrical connector
H60-A3	42312330	3 air ports manifold
H60-A6	42312331	6 air ports manifold
H-E4	42312340	4 pins electrical connector

Relative Products

3 Air Ports Manifold

H60-A3

4 Pins Elec. Connector

H-E4

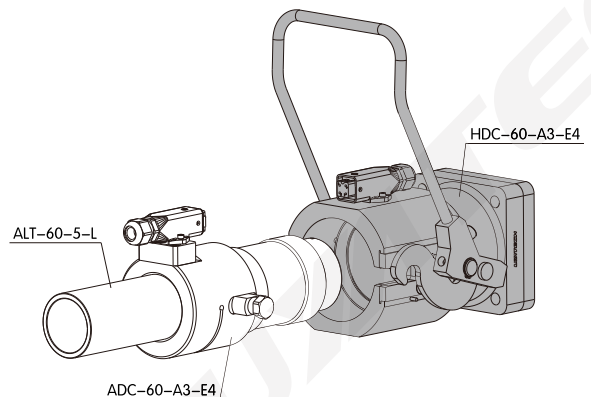
6 Air Ports Manifold

H60-A6

$\phi 60$  Disconnect Bayonet

ADC-60-A4-E4

Application



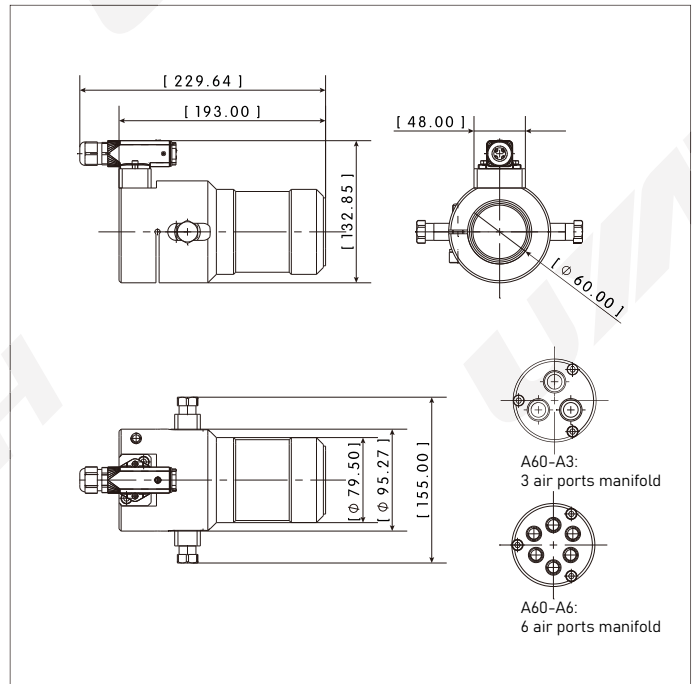
ADC-60 |  $\phi 60$  Tool Changer Bayonet



Features

- Material: Aluminum, steel, PU
- Operation Temperature: -20 C...80 C
- Surface Treatment : Anodized with sand blasting; blackening
- Weight: 2.06Kg
- Function: Working with bayonet HDC-60 to realize quick change

Dimensions



Ordering Information

Part No.	Ordering Code	Description
ADC-60-A3-E4	21312314	Bayonet main body with 3 air ports manifold and 4 pins electrical connector
ADC-60-A6-E4	21312315	Bayonet main body with 6 air ports manifold and 4 pins electrical connector
ADC-60-00-00	21312316	Bayonet main body only
ADC-60-A3-00	21312317	Bayonet main body with 3 air ports manifold
ADC-60-A6-00	21312318	Bayonet main body with 6 air ports manifold
ADC-60-00-E4	21312319	Bayonet main body with 4 pins electrical connector
A60-A3	21312320	3 air ports manifold
A60-A6	21312321	6 air ports manifold
A-E4	21312330	4 pins electrical connector

Relative Products

3 Air Ports Manifold

A60-A3

4 Pins Elec. Connector

H-E4

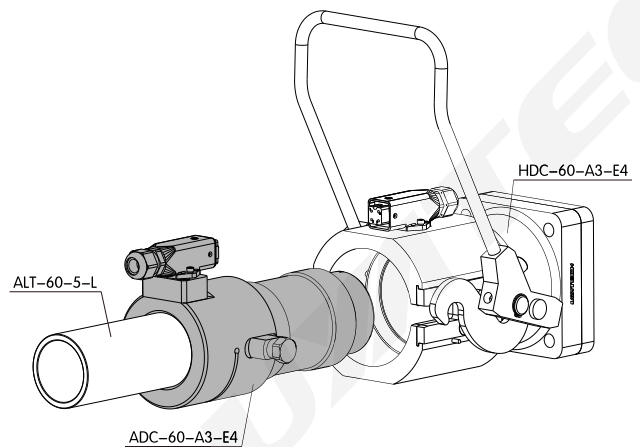
6 Air Ports Manifold

A60-A6

$\phi 60$  Disconnect Housing

HDC-60-A4-E4

Application

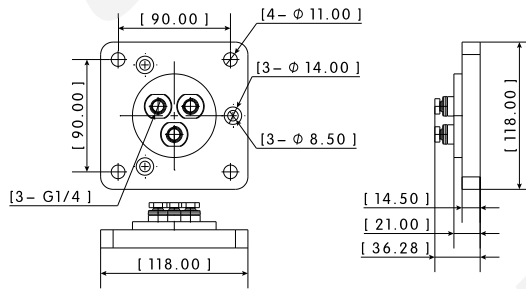




H60-A3 | 3 Air Ports Manifold for  $\phi 60$  Tool Changer Housing



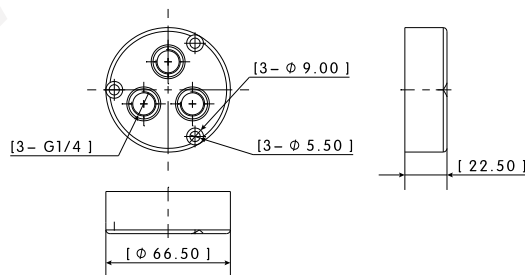
Dimensions



A60-A3 | 3 Air Ports Manifold for  $\phi 60$  Tool Changer Bayonet



Dimensions



Features

Material: Aluminum, brass  
 Operation Temperature: -20 C...80 C  
 Surface Treatment : Anodized with sand blasting  
 Function: Working with tool changer to realize air way quick connection

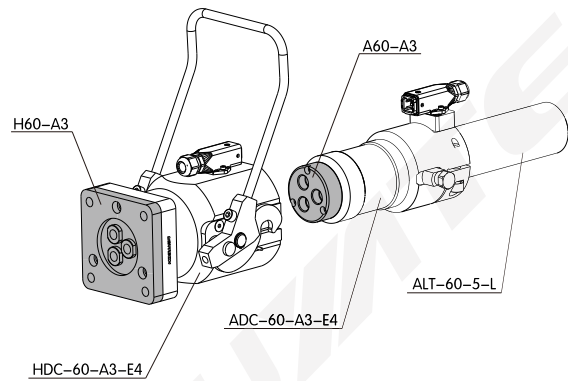
Ordering Information

Part No.	Ordering Code	Weight
H60-A3	42312330	0.69
A60-A3	21312320	0.19

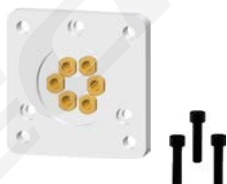
Relative Products



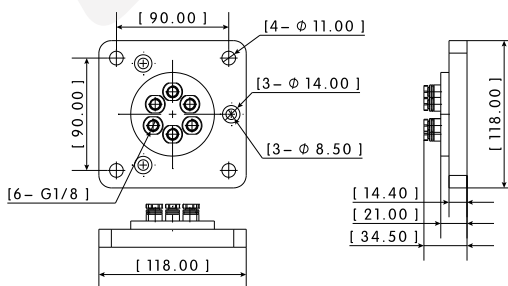
Application



H60-A6 | 6 Air Ports Manifold for  $\phi 60$  Tool Changer Housing



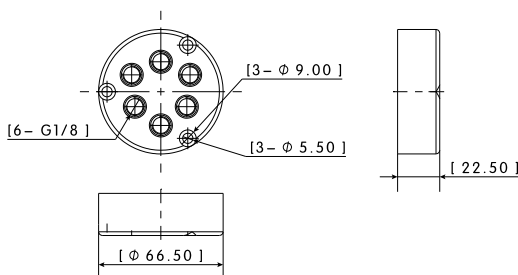
Dimensions



A60-A6 | 6 Air Ports Manifold for  $\phi 60$  Tool Changer Bayonet



Dimensions



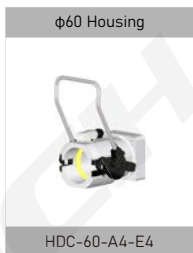
Features

- Material: Aluminum, brass
- Operation Temperature: -20 C...80 C
- Surface Treatment : Anodized with sand blasting
- Function: Working with tool changer to realize air way quick connection

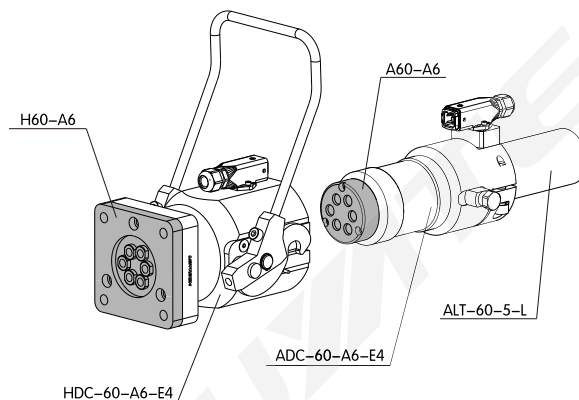
Ordering Information

Part No.	Ordering Code	Weight
H60-A6	42312331	0.70
A60-A6	21312321	0.21

Relative Products



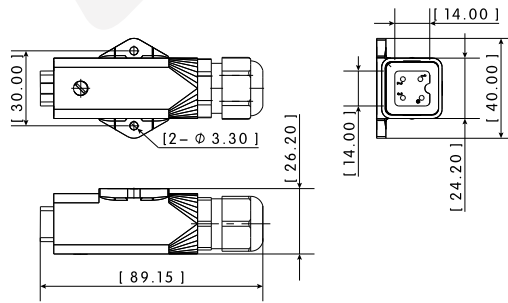
Application



H-E4 | 4 Pins Elec. Connector for  $\phi 60/\phi 76$  Tool Changer Housing



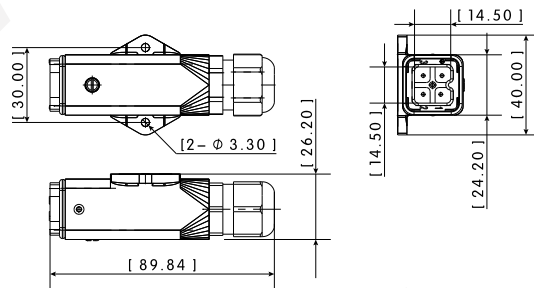
Dimensions



A-E4 | 4 Pins Elec. Connector for  $\phi 60/\phi 76$  Tool Changer Bayonet



Dimensions



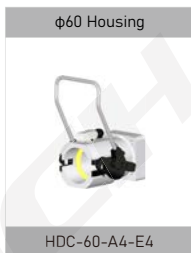
Features

- Material: Aluminum, ABS
- Operation Temperature: -20 C...80 C
- Surface Treatment : Grey painting
- Function: Working with tool changer to realize electrical quick connection

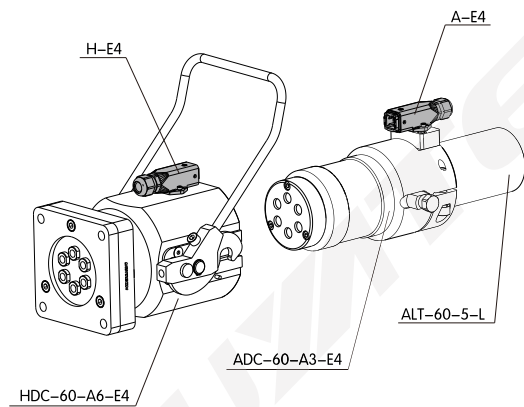
Ordering Information

Part No.	Ordering Code	Weight
H-E4	42312340	0.017
A-E4	21312330	0.018

Relative Products



Application



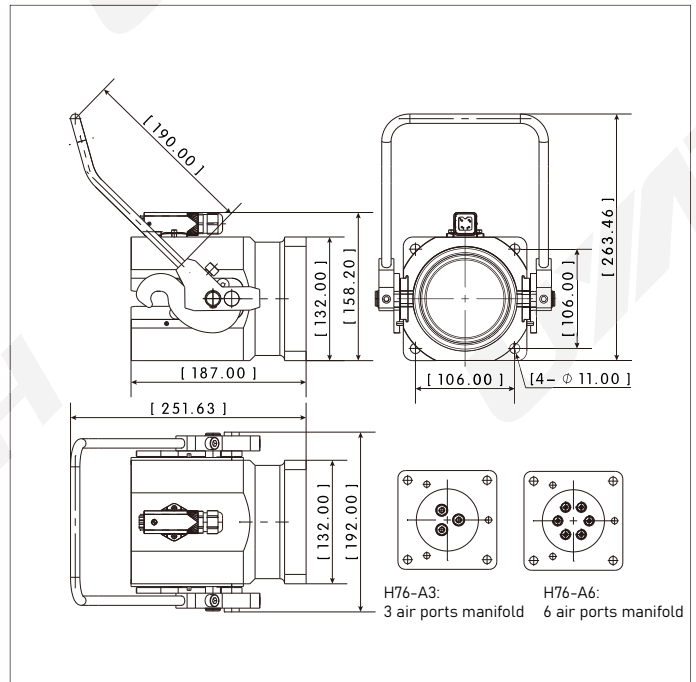
HDC-76 |  $\phi 76$  Tool Changer Housing



Features

- Material: Aluminum, steel, brass, PU
- Operation Temperature: -20 C...80 C
- Surface Treatment : Anodized with sand blasting; blackening
- Weight: 6.36Kg
- Function: Working with bayonet ADC-76 to realize quick change

Dimensions



Ordering Information

Part No.	Ordering Code	Description
HDC-76-A3-E4	42312332	Housing main body with 3 air ports manifold and 4 pins electrical connector
HDC-76-A6-E4	42312333	Housing main body with 6 air ports manifold and 4 pins electrical connector
HDC-76-00-00	42312334	Housing main body only
HDC-76-A3-00	42312335	Housing main body with 3 air ports manifold
HDC-76-A6-00	42312336	Housing main body with 6 air ports manifold
HDC-76-00-E4	42312337	Housing main body with 4 pins electrical connector
H76-A3	42312338	3 air ports manifold
H76-A6	42312339	6 air ports manifold
H-E4	42312340	4 pins electrical connector

Relative Products

3 Air Ports Manifold

H76-A3

4 Pins Elec. Connector

H-E4

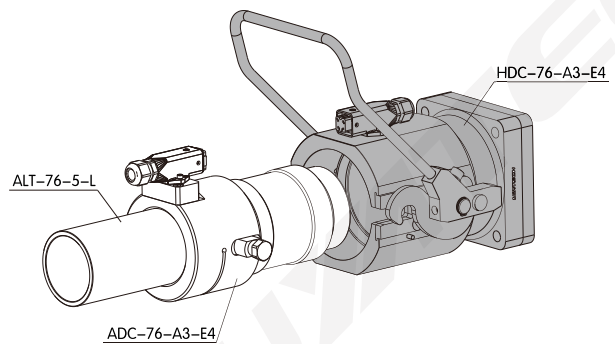
6 Air Ports Manifold

H76-A6

$\phi 60$  Bayonet

ADC-76-A4-E4

Application



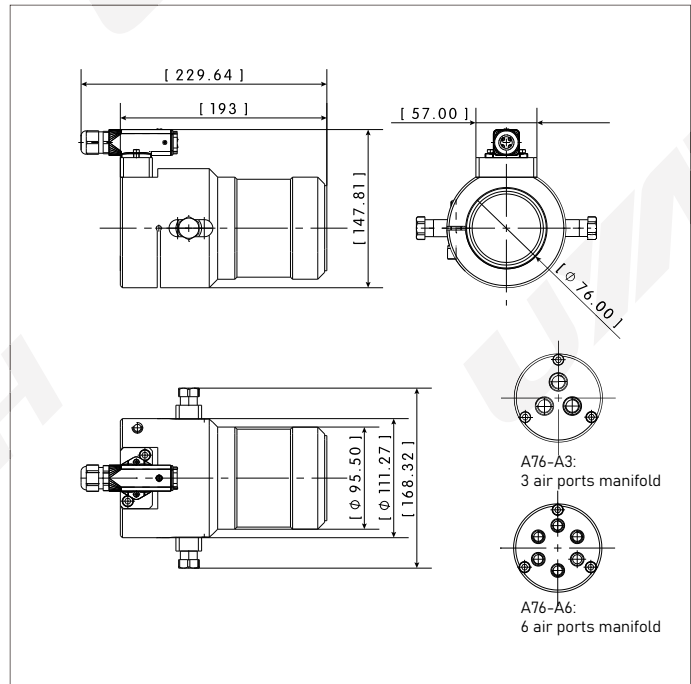
ADC-76 |  $\phi 76$  Tool Changer Bayonet



Features

- Material: Aluminum, steel, PU
- Operation Temperature: -20 C...80 C
- Surface Treatment : Anodized with sand blasting; blackening
- Weight: 2.54Kg
- Function: Working with bayonet HDC-76 to realize quick change

Dimensions



Ordering Information

Part No.	Ordering Code	Description
ADC-76-A3-E4	21312322	Bayonet main body with 3 air ports manifold and 4 pins electrical connector
ADC-76-A6-E4	21312323	Bayonet main body with 6 air ports manifold and 4 pins electrical connector
ADC-76-00-00	21312324	Bayonet main body only
ADC-76-A3-00	21312325	Bayonet main body with 3 air ports manifold
ADC-76-A6-00	21312326	Bayonet main body with 6 air ports manifold
ADC-76-00-E4	21312327	Bayonet main body with 4 pins electrical connector
A76-A3	21312328	3 air ports manifold
A76-A6	21312329	6 air ports manifold
A-E4	21312330	4 pins electrical connector

Relative Products

3 Air Ports Manifold

A76-A3

4 Pins Elec. Connector

H-E4

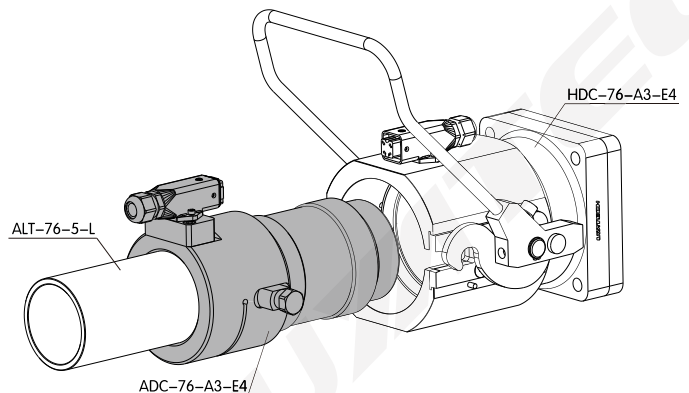
6 Air Ports Manifold

A76-A6

$\phi 76$  Housing

HDC-76-A4-E4

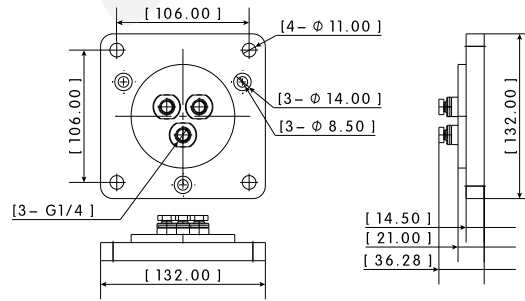
Application



H76-A3 | 3 Air Ports Manifold for  $\phi 76$  Tool Changer Housing



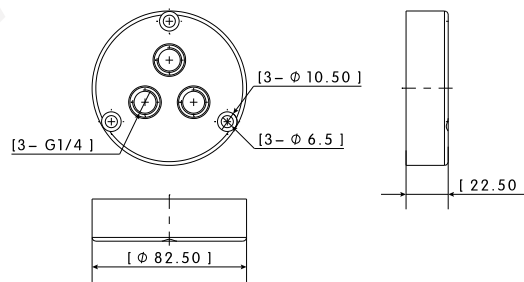
Dimensions



A76-A3 | 3 Air Ports Manifold for  $\phi 76$  Tool Changer Bayonet



Dimensions



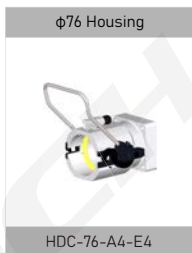
Features

Material: Aluminum, brass  
 Operation Temperature: -20 C...80 C  
 Surface Treatment : Anodized with sand blasting  
 Function: Working with tool changer to realize air way quick connection

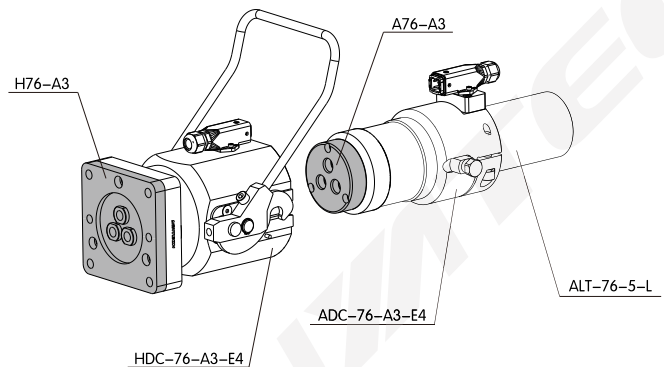
Ordering Information

Part No.	Ordering Code	Weight
H76-A3	42312338	0.82
A76-A3	21312328	0.31

Relative Products



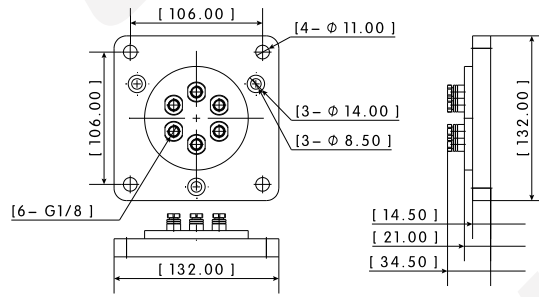
Application



H76-A6 | 6 Air Ports Manifold for  $\phi 76$  Tool Changer Housing



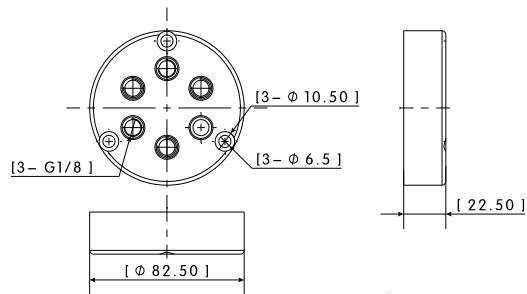
Dimensions



A76-A6 | 6 Air Ports Manifold for  $\phi 76$  Tool Changer Bayonet



Dimensions



Features

- Material: Aluminum, brass
- Operation Temperature:  $-20\text{ C} \dots 80\text{ C}$
- Surface Treatment : Anodized with sand blasting
- Function: Working with tool changer to realize air way quick connection

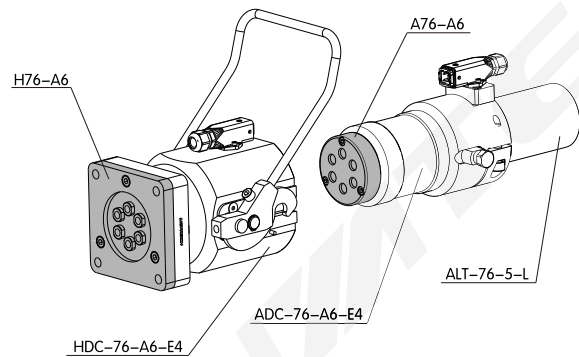
Ordering Information

Part No.	Ordering Code	Weight
H76-A6	42312339	0.85
A76-A6	21312329	0.32

Relative Products



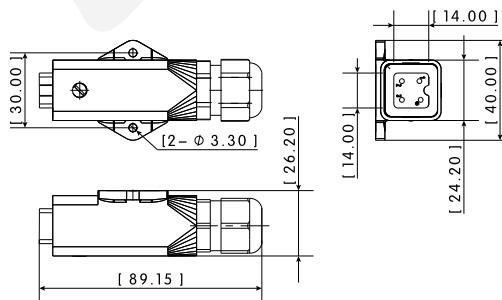
Application



H-E4 | 4 Pins Elec. Connector for  $\phi 60/\phi 76$  Tool Changer Housing



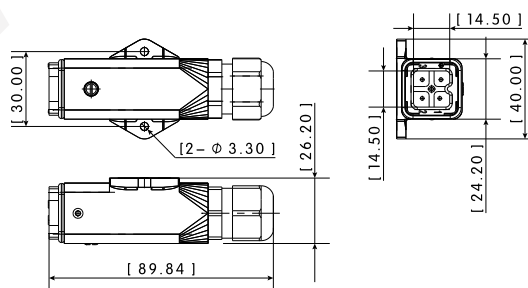
Dimensions



A-E4 | 4 Pins Elec. Connector for  $\phi 60/\phi 76$  Tool Changer Bayonet



Dimensions



Features

- Material: Aluminum, ABS
- Operation Temperature: -20 C...80 C
- Surface Treatment : Grey painting
- Function: Working with tool changer to realize electrical quick connection

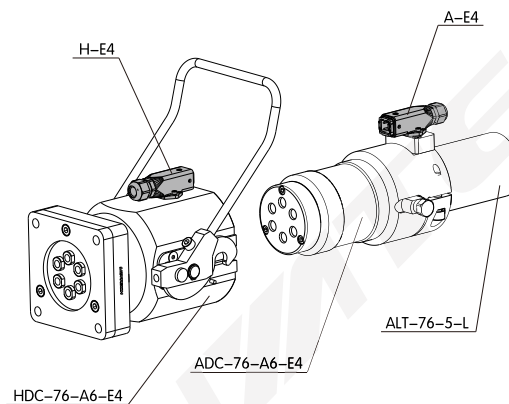
Ordering Information

Part No.	Ordering Code	Weight
H-E4	42312340	0.017
A-E4	21312330	0.018

Relative Products



Application

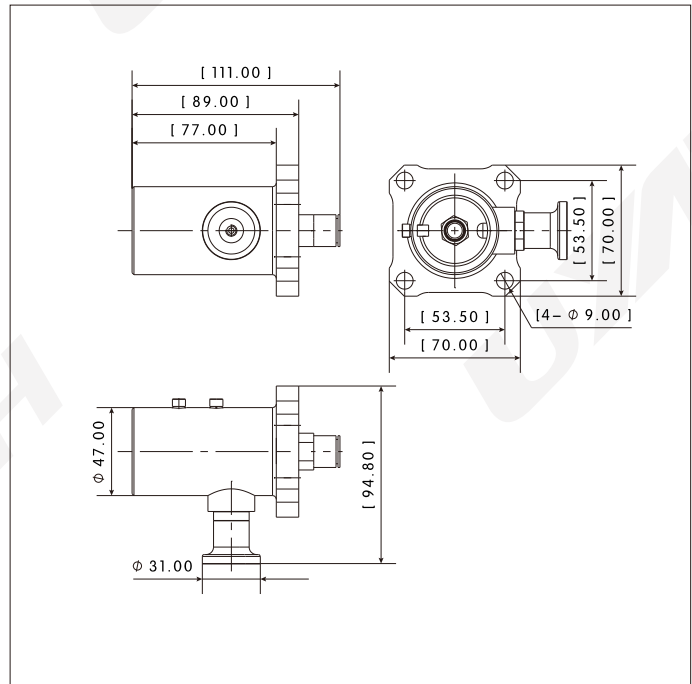




HAB | Tool Changer Housing



Dimensions



Features

- Material: Steel
- Operation Temperature: -20 C...80 C
- Surface Treatment : Blackening
- Weight: 0.94Kg
- Function: Working with bayonet AAB to realize quick change

Ordering Information

Part No.	Ordering Code	Description
HAB	42212201	Tool Changer Housing

Relative Products

Tool Changer Bayonet

AAB

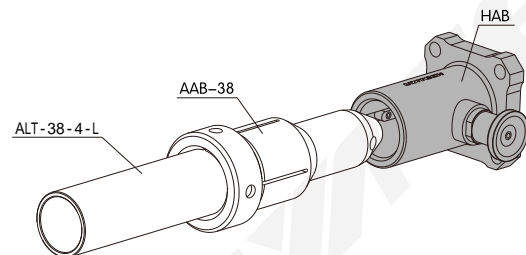
$\phi$ 40 Al. Tube

ALT-40-3-L

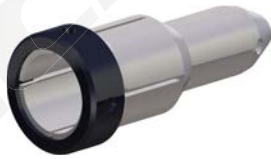
$\phi$ 38 Al. Tube

ALT-38-4-L

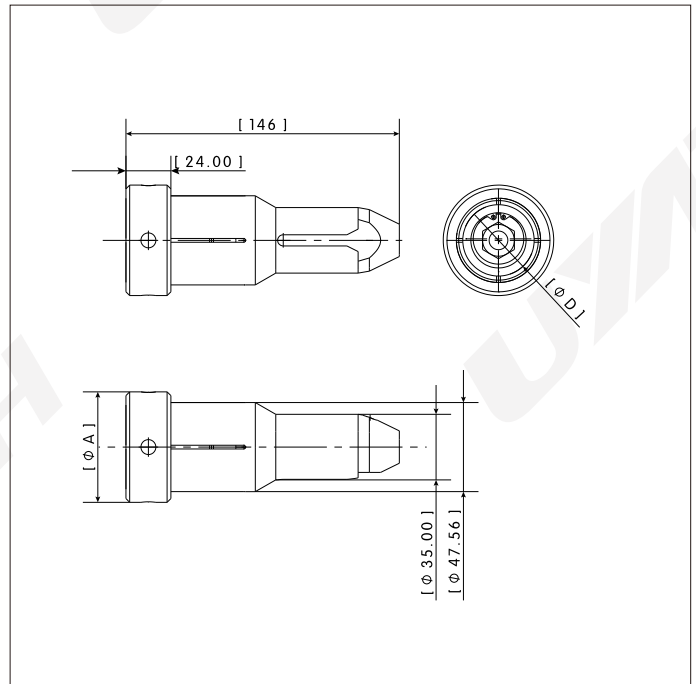
Application



AAB | Tool Changer Bayonet



Dimensions



Features

- Material: Aluminum, Steel
- Operation Temperature: -20 C...80 C
- Surface Treatment : Blackening
- Function: Working with housing HAB to realize quick change

Ordering Information

Part No.	Ordering Code	Description	D	A	Weight
AAB-38	21212301	φ38 Bayonet	38	59	0.96
AAB-40	21212302	φ40 Bayonet	40	61	1.00

Relative Products

Tool Changer Housing

HAB

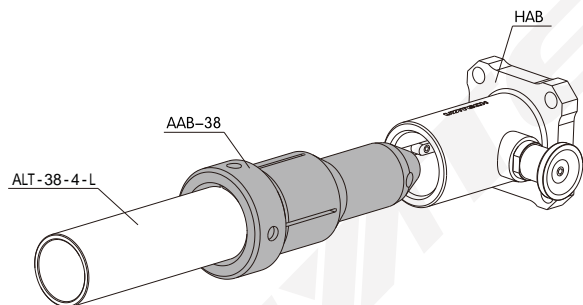
φ40 Al. Tube

ALT-40-3-L

φ38 Al. Tube

ALT-38-4-L

Application



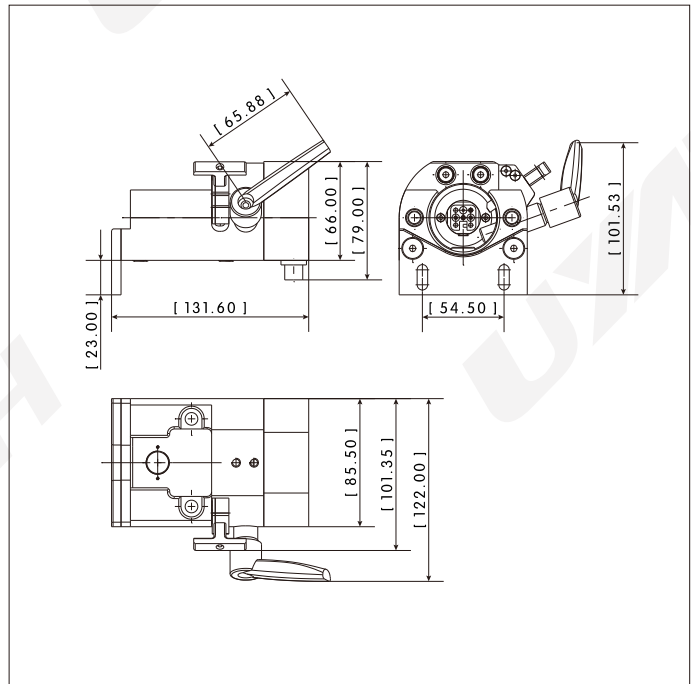
HSR | Transfer Receiver



Features

- Material: Aluminum, steel, brass
- Operation Temperature: -20 C...80 C
- Surface Treatment : Anodized with sand blasting, blackening
- Weight: 1.3Kg
- Function: Working with adapter ASR to realize quick change in transfer press automation

Dimensions




Ordering Information

Part No.	Ordering Code	Description
HSR-A2-E4	42747301	Transfer receiver with 2 air ports manifold and 4 pins electrical connector
HSR-00-00	42747302	Transfer receiver main body only
HSR-A2-00	42747303	Transfer receiver with 2 air ports manifold
HSR-00-E4	42747304	Transfer receiver with 4 pins electrical connector


Relative Products

Transfer Adapter



ASR

φ30 Steel Tube



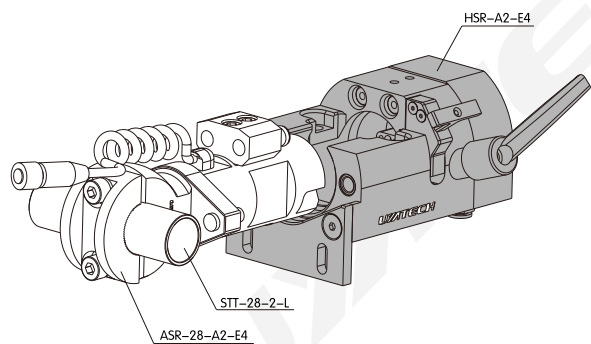
STT-30-2.5-L

φ28 Steel Tube



STT-28-2-L

Application



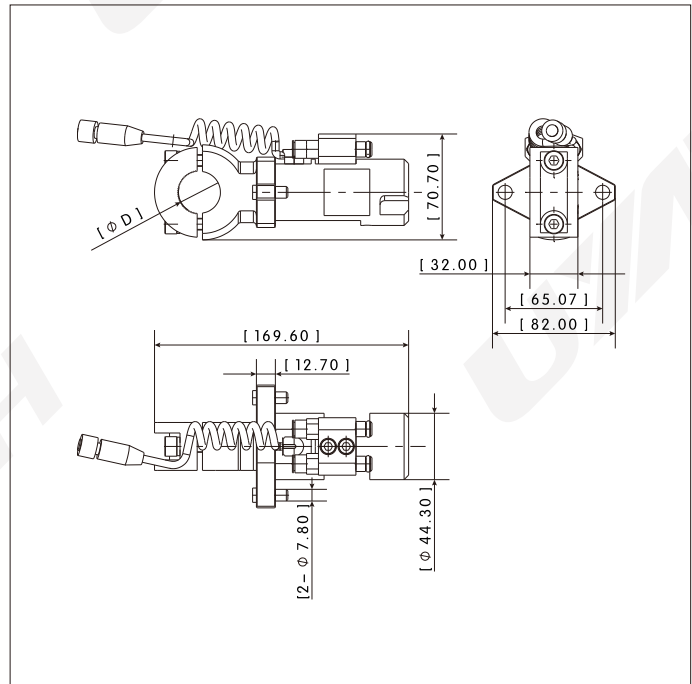
ASR | Transfer Adapter



Features

- Material: Aluminum, steel
- Operation Temperature: -20 C...80 C
- Surface Treatment : Anodized with sand blasting, blackening
- Function: Working with receiver HSR to realize quick change in transfer press automation

Dimensions




Ordering Information

Part No.	Ordering Code	Description	Weight	D
ASR-28-A2-E4	21745201	φ28 adapter with 2 air ports manifold and 4 pins elec. connector	1.01	
ASR-28-00-E4	21745205	φ28 adapter with 4 pins elec. connector	0.98	28
ASR-28-00-00	21745203	φ28 adapter main body only	1.09	
ASR-28-A2-00	21745204	φ28 adapter with 2 air ports manifold	1.19	
ASR-30-A2-E4	21745202	φ30 adapter with 2 air ports manifold and 4 pins elec. connector	1.11	
ASR-30-00-00	21745206	φ30 adapter main body only	1.08	30
ASR-30-A2-00	21745207	φ30 adapter with 2 air ports manifold	1.06	
ASR-30-00-E4	21745208	φ30 adapter with 4 pins elec. connector	1.16	
AS-A2	21745209	2 air ports manifold	0.08	N/A
AS-E4	21745210	4 pins electrical connector	0.10	N/A

Relative Products


2 Air Ports Manifold



AS-A2

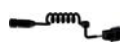
---

Transfer Receiver



HSR


4 Pins Elec. Connector



AS-E4

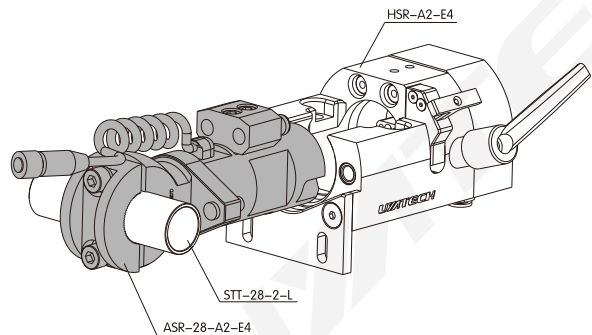
---

φ28 Steel Tube



STT-28-2-L

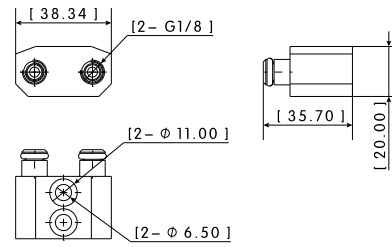
Application



AS-A2 | 2 Air Ports Manifold for Transfer Adapter



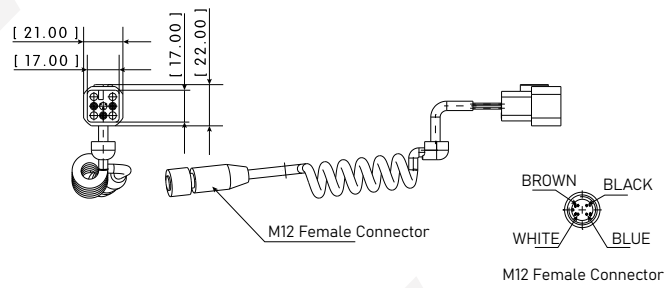
Dimensions



AS-E4 | 4 Pins Elec. Connector for Transfer Adapter



Dimensions



Features

Material: Aluminum, brass, ABS  
 Operation Temperature: -20 C...80 C  
 Surface Treatment : Anodized with sand blasting  
 Function: Working with transfer adapter to realize air&elec. quick connection

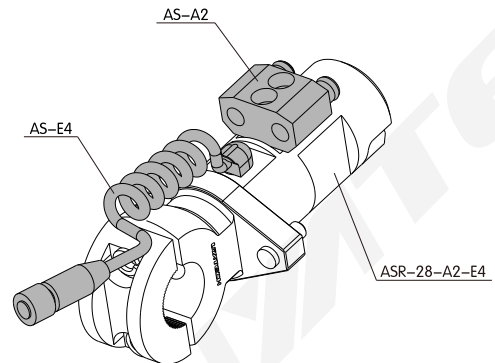
Ordering Information

Part No.	Ordering Code	Weight
AS-A2	21745209	0.08
AS-E4	21745210	0.10

Relative Products



Application



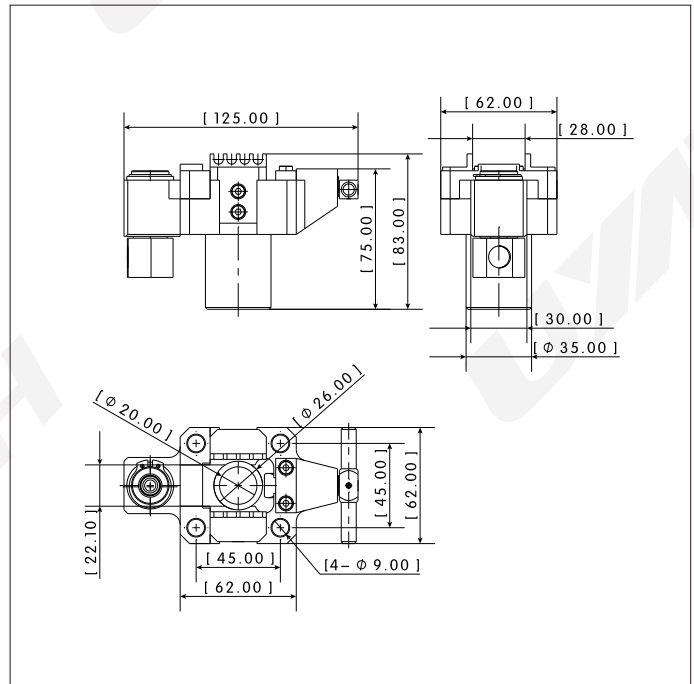
HKM | Tool Changer Housing



Features

- Material: Aluminum, steel, brass
- Operation Temperature: -20 C...80 C
- Surface Treatment : Anodized with sand blasting, blackening
- Weight: 0.59Kg
- Function: Working with adapter AKM to realize quick change

Dimensions




Ordering Information

Part No.	Ordering Code	Description
HKM	42526102	Tool Changer Housing


Relative Products

φ25 Steel Tube



STT-25-2-L

Tool Changer Bayonet



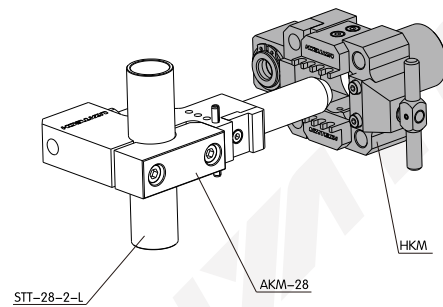
AKM

φ28 Steel Tube

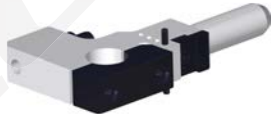


STT-28-2-L

Application



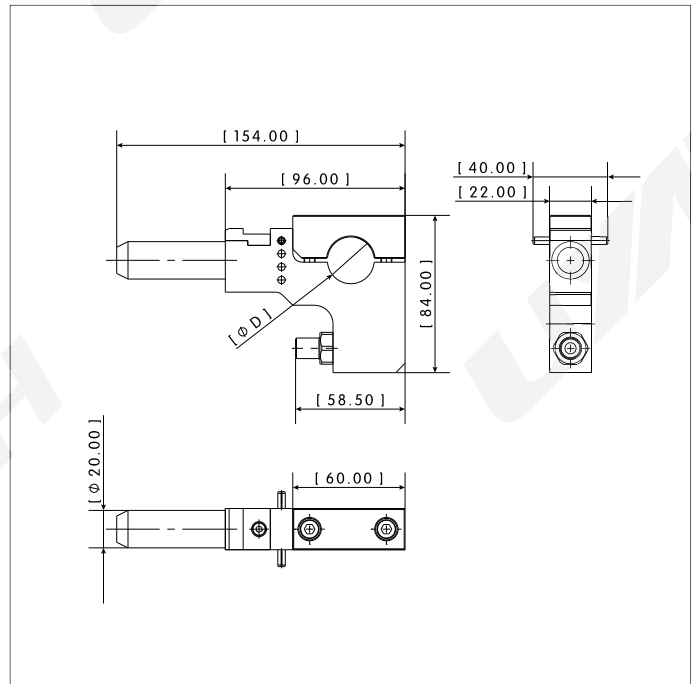
AKM | Tool Changer Bayonet



Features

Material: Aluminum, steel  
 Operation Temperature: -20 C...80 C  
 Surface Treatment : Anodized with sand blasting, blackening  
 Function: Working with housing HKM to realize quick change

Dimensions




Ordering Information

Part No.	Ordering Code	Description	D	Weight
AKM-25	21526101	φ25 Bayonet	25	0.51
AKM-28	21526102	φ28 Bayonet	27.5	0.49


Relative Products

φ25 Steel Tube



STT-25-2-L

Tool Changer Housing



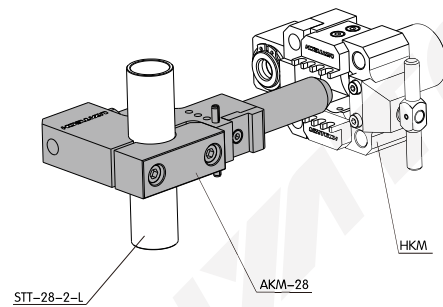
HKM

φ28 Steel Tube



STT-28-2-L

Application



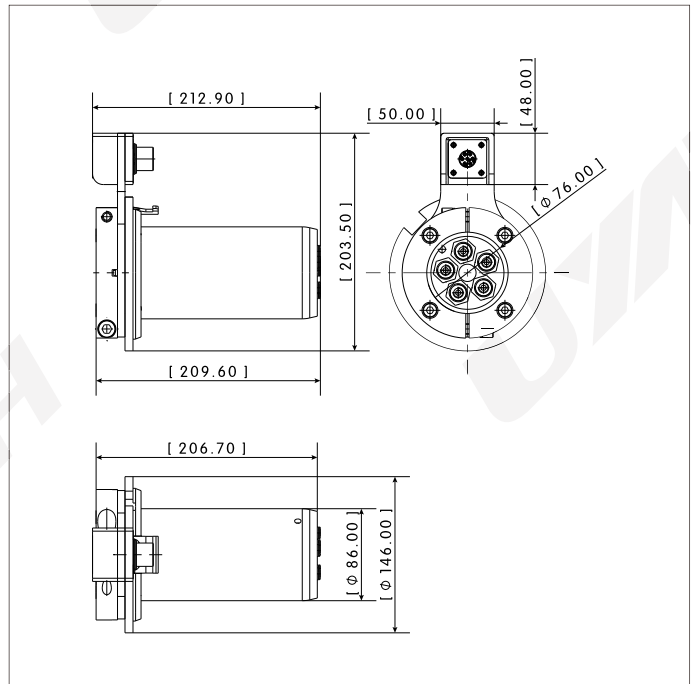
AAB-76 |  $\phi 76$  Tool Changer Bayonet



Features

- Material: Aluminum, steel, brass
- Operation Temperature: -20 C...80 C
- Surface Treatment : Anodized with sand blasting, blackening
- Weight: 3.28Kg
- Function: Working with tool changer housing to realize quick change

Dimensions



Ordering Information

Part No.	Ordering Code	Description
AAB-76-A5-E3	21212303	$\phi 76$ Bayonet with 5 air ports manifold and 3 pins elec. connector
AAB-76-A5-E6	21212310	$\phi 76$ Bayonet with 5 air ports manifold and 6 pins elec. connector
AAB-76-00-00	21212304	$\phi 76$ Bayonet main body
AAB-76-A5-00	21212305	$\phi 76$ Bayonet with 5 air ports manifold
AAB-76-00-E3	21212306	$\phi 76$ Bayonet with 3 pins elec. connector
AAB-76-00-E6	21212311	$\phi 76$ Bayonet with 6 pins elec. connector
AB76-A5	21212307	5 air ports manifold
AB-E3	21212308	3 pins elec. connector
AB-E6	21212309	6 pins elec. connector

Relative Products

5 Air Ports Manifold

AB76-A5

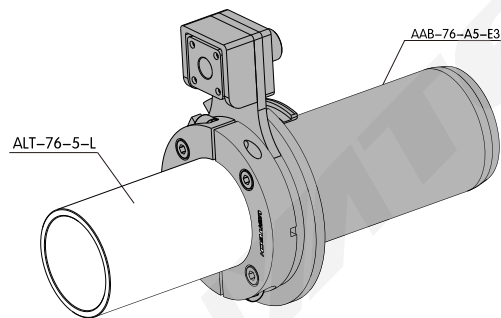
$\phi 76$  Al. Tube

ALT-76-5-L

Elec. Connector

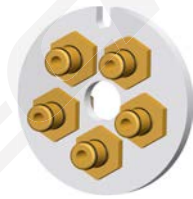
AB-E3/E6

Application

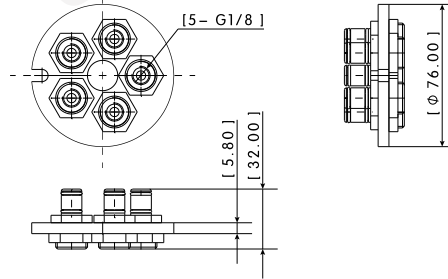




AB76-A5 | 5 Air Ports Manifold for  $\phi 76$  Tool Changer Bayonet



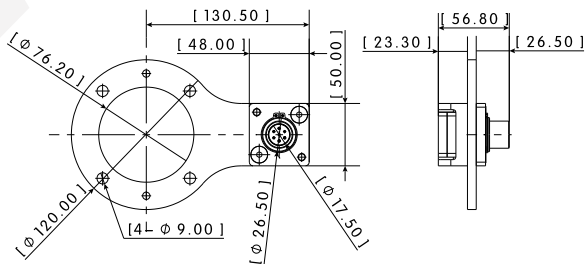
Dimensions



AB-E3/E6 | Elec. Connector for  $\phi 76$  Tool Changer Bayonet



Dimensions



Features

Material: Aluminum, brass, ABS  
 Operation Temperature: -20 C...80 C  
 Surface Treatment : Anodized with sand blasting  
 Function: Working with tool changer housing to realize air&elec. quick connection

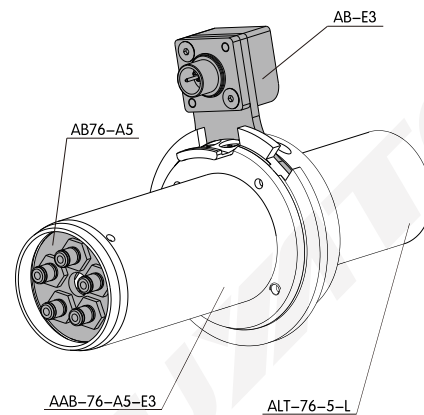
Ordering Information

Part No.	Ordering Code	Weight
AB76-A5	21212307	0.34
AB-E3	21212308	0.90
AB-E6	21212309	0.90

Relative Products



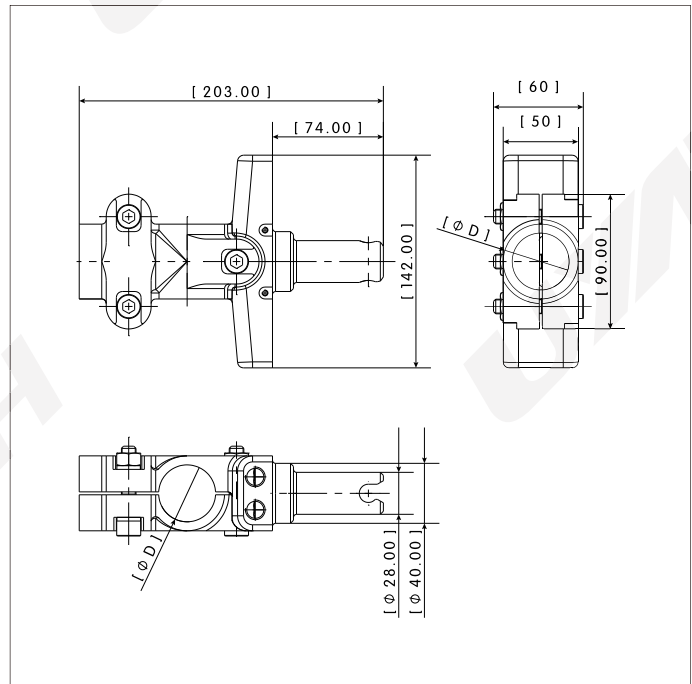
Application



AGLC | Tool Changer Bayonet for CF Gondola



Dimensions



Features


- Material: Aluminum
- Operation Temperature: -20 C...80 C
- Surface Treatment : Anodized with sand blasting
- Function: Working with Carbon Fiber Gondola to realize quick change in press automation

Ordering Information

Part No.	Ordering Code	Description	D	Weight
AGLC-38	21415301	φ38 CF Gondola Bayonet	38	1.13
AGLC-40	21415302	φ40 CF Gondola Bayonet	40	1.10


Relative Products

φ38 AL Tube



ALT-38-4-L

CF Gondola Bayonet



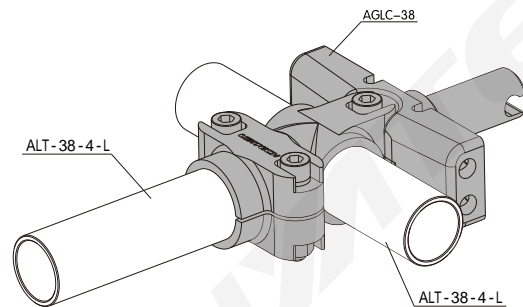
AGLM

φ40 AL Tube



ALT-40-3-L

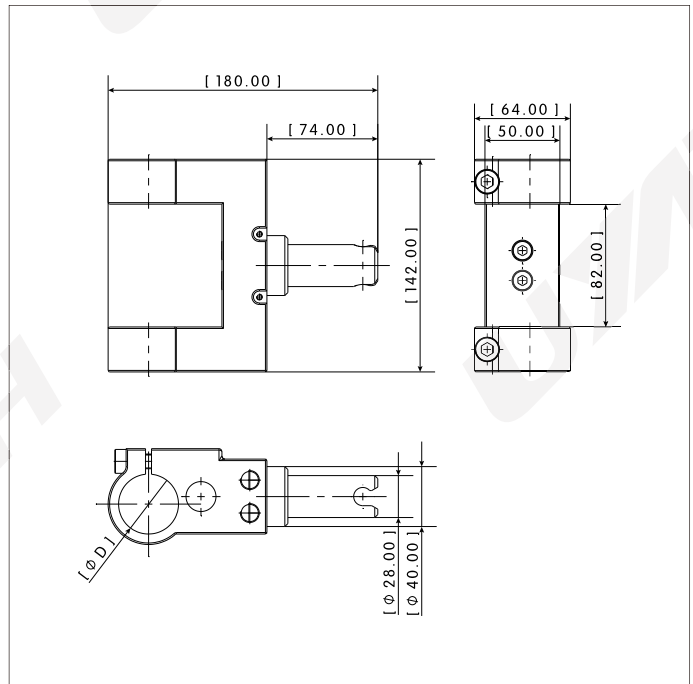
Application



### AGLM | Tool Changer Bayonet for CF Gondola



#### Dimensions



#### Features

- Material: Aluminum
- Operation Temperature: -20 C...80 C
- Surface Treatment : Anodized with sand blasting
- Function: Working with Carbon Fiber Gondola to realize quick change in press automation

#### Ordering Information

Part No.	Ordering Code	Description	D	Weight
AGLM-38	21415303	$\phi 38$ CF Gondola Bayonet	38	1.13
AGLM-40	21415304	$\phi 40$ CF Gondola Bayonet	40	1.10

#### Relative Products

$\phi 38$  AL Tube

ALT-38-4-L

T Clamp

TCA-TIM

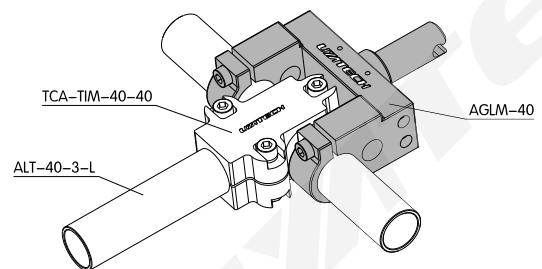
$\phi 40$  AL Tube

ALT-40-3-L

CF Gondola Bayonet

AGLC

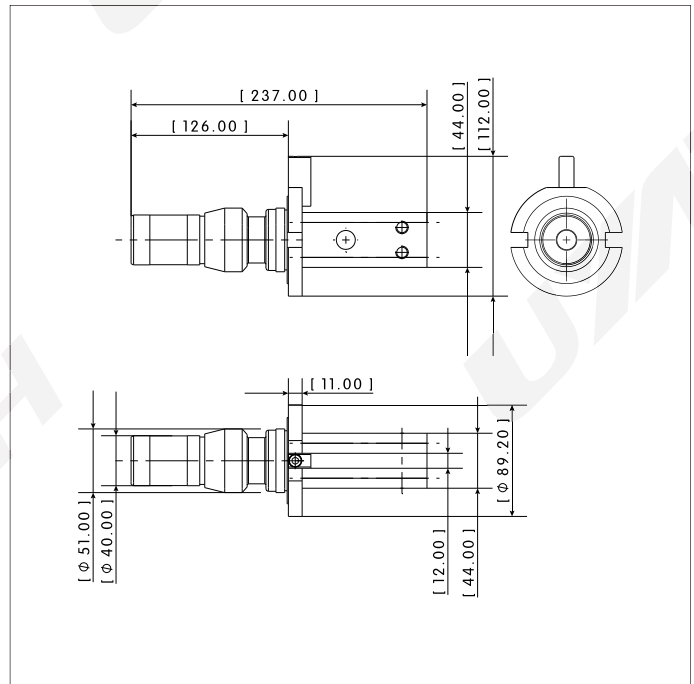
#### Application



AKT | Tool Changer Bayonet



Dimensions



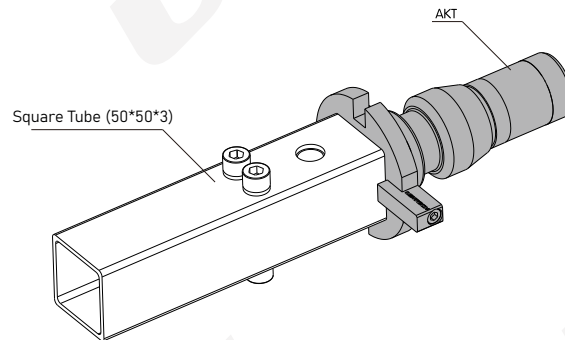
Features

- Material: Steel
- Operation Temperature: -20 C...80 C
- Surface Treatment : Balckening
- Weight: 3.18Kg
- Function: Working with Tool Changer Housing to realize quick change in press automation

Ordering Information

Part No.	Ordering Code	Description
AKT	21528101	Tool changer bayonet

Application



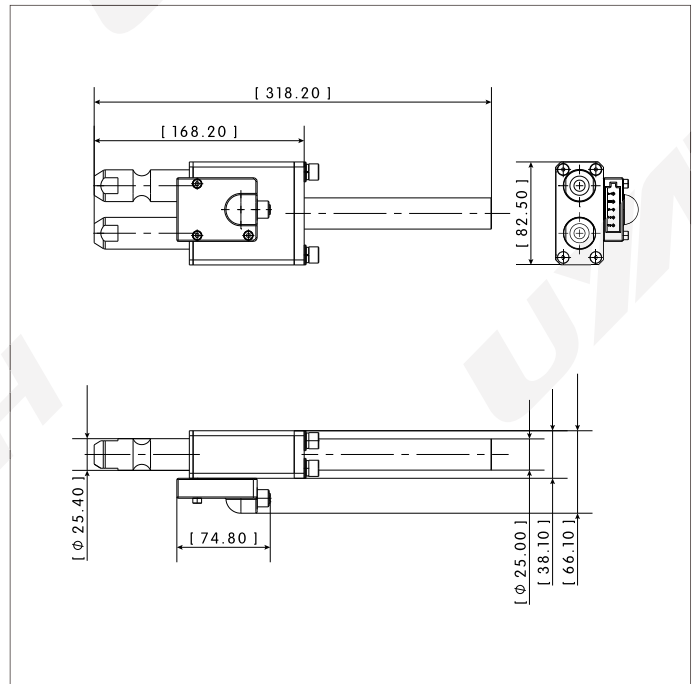
ARG-25 | 25 Tool Changer Bayonet



Features

- Material: Aluminum, steel, ABS
- Operation Temperature: -20 C...80 C
- Surface Treatment : Anodized with sand blasting, blackening
- Weight: 1.8Kg
- Function: Working with tool changer housing to realize quick change in transfer press automation

Dimensions



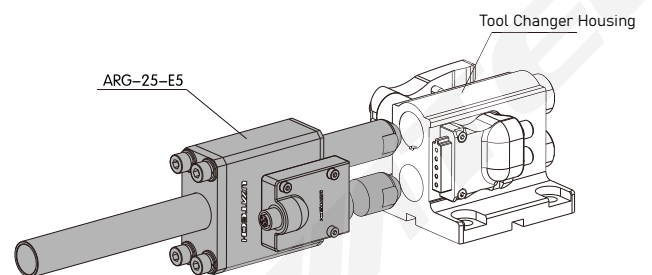
Ordering Information

Part No.	Ordering Code	Description
ARG-25-E5	21734101	φ25 Bayonet with 2 air ports manifold and 5 pins elec. connector
ARG-25-00	21734102	φ25 Bayonet with 2 air ports manifold
AR-E5	21734103	5 pins elec. connector

Relative Products

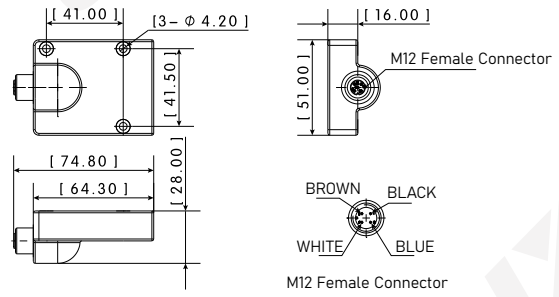


Application



AR-E5 | 5 Pins Elec. Connector for  $\phi 25$  Tool Changer Bayonet

Dimensions



Features

Material: ABS, brass  
 Operation Temperature: -20 C...80 C  
 Weight: 0.06Kg  
 Function: Working with tool changer housing to realize elec. quick change

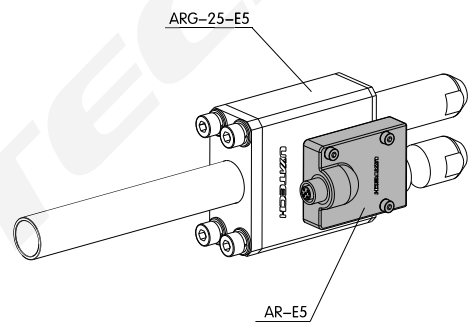
Ordering Information

Part No.	Ordering Code
AR-E5	21733200

Relative Products



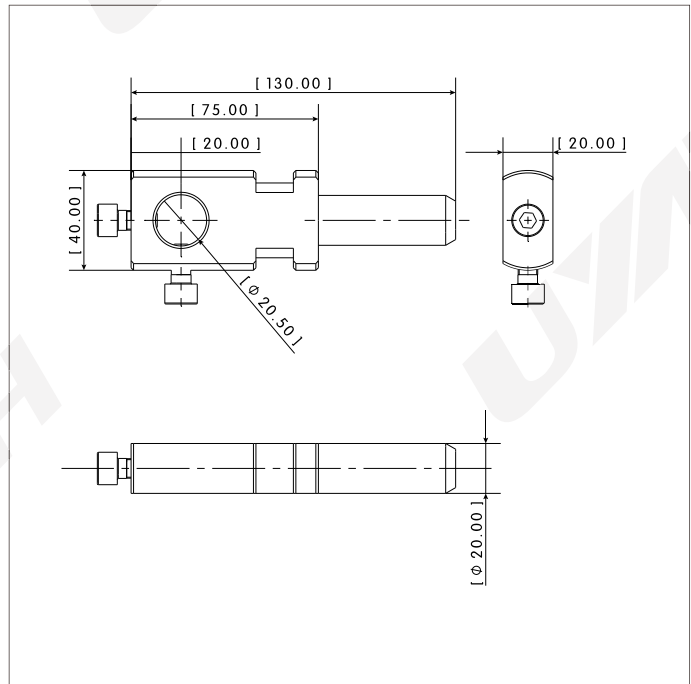
Application



AKM-S | Tool Changer Bayonet



Dimensions



Features

- Material: Steel
- Operation Temperature: -20 C...80 C
- Surface Treatment : Blackening
- Weight: 0.53Kg
- Function: Working with tool changer housing to realize quick change

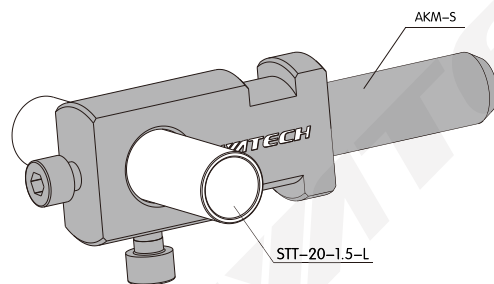
Ordering Information

Part No.	Ordering Code	Description
AKM-S	21528102	Tool Changer Bayonet

Relative Products



Application



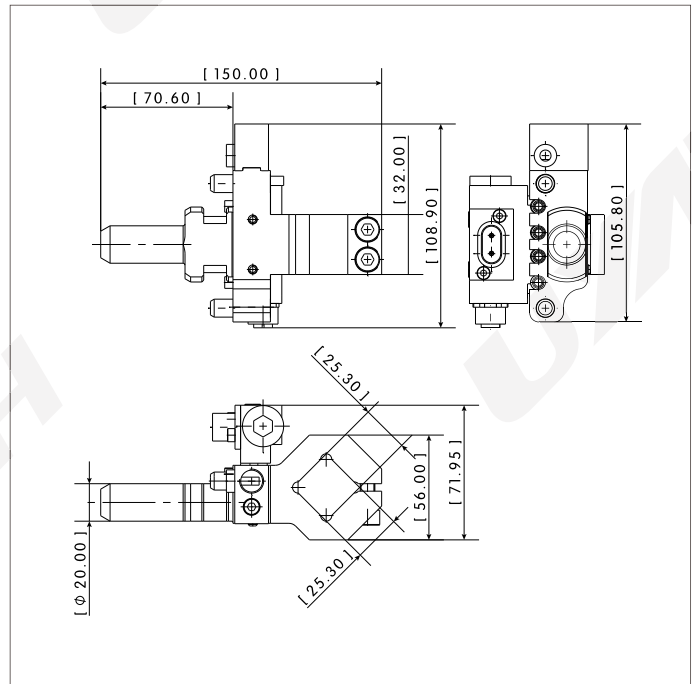
AKM-TY-C3 | Tool Changer Bayonet



Features

- Material: Aluminum, steel
- Operation Temperature: -20 C...80 C
- Surface Treatment : Anodized with sand blasting, blackening
- Weight: 1.25Kg
- Function: Working with tool changer housing to realize quick change in transfer press automation

Dimensions



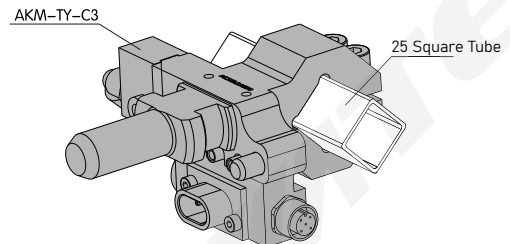
Ordering Information

Part No.	Ordering Code	Description
AKM-TY-C3	21528103	Tool changer bayonet

Relative Products



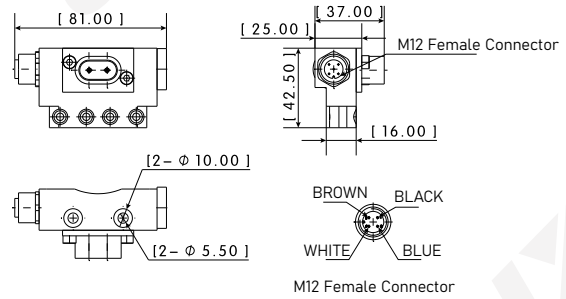
Application





AK-E2 | Elec. Connector for AKM-KY  
-C3 Bayonet

## Dimensions



## Features

Material: ABS, brass  
 Operation Temperature: -20 C...80 C  
 Weight: 0.17Kg  
 Function: Working with tool changer housing to realize elec. quick change

## Ordering Information

Part No.	Ordering Code
AK-E2	21523200

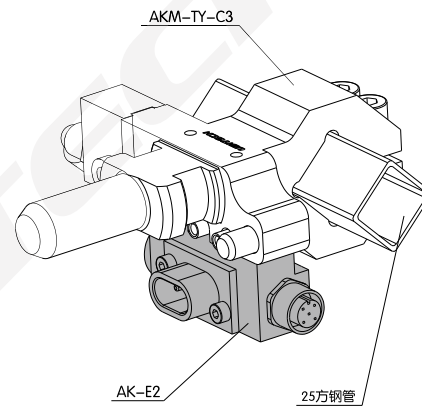
## Relative Products

Tool Changer Bayonet



AKM-TY-C3

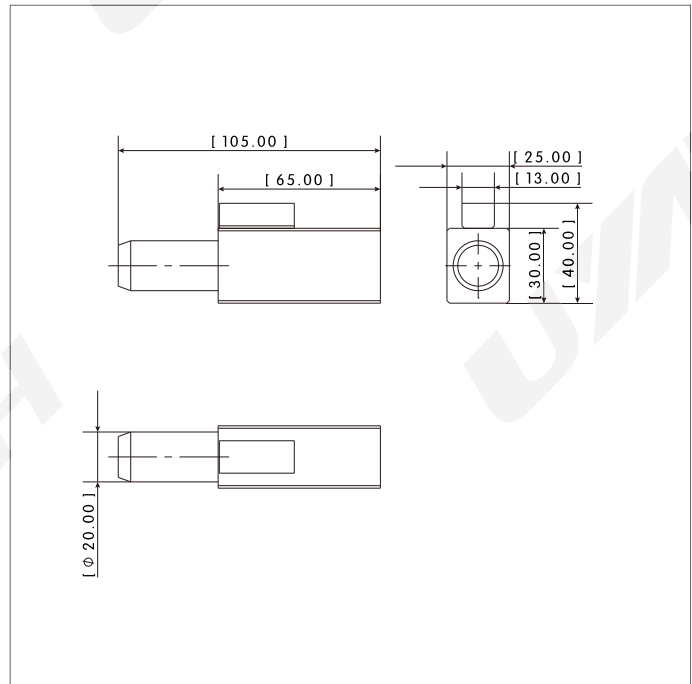
## Application



AKM-IDL-A | Idle Station Bayonet



Dimensions



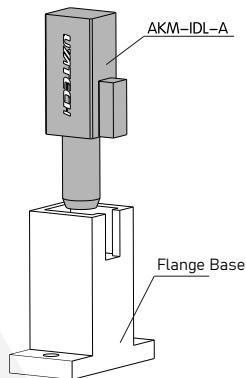
Features

- Material: Steel
- Operation Temperature: -20 C...80 C
- Surface Treatment : Blackening
- Weight: 0.51Kg
- Function: Working with flange base to realize quick change in idle station

Ordering Information

Part No.	Ordering Code	Description
AKM-IDL-A	21528104	Idle Station Bayonet

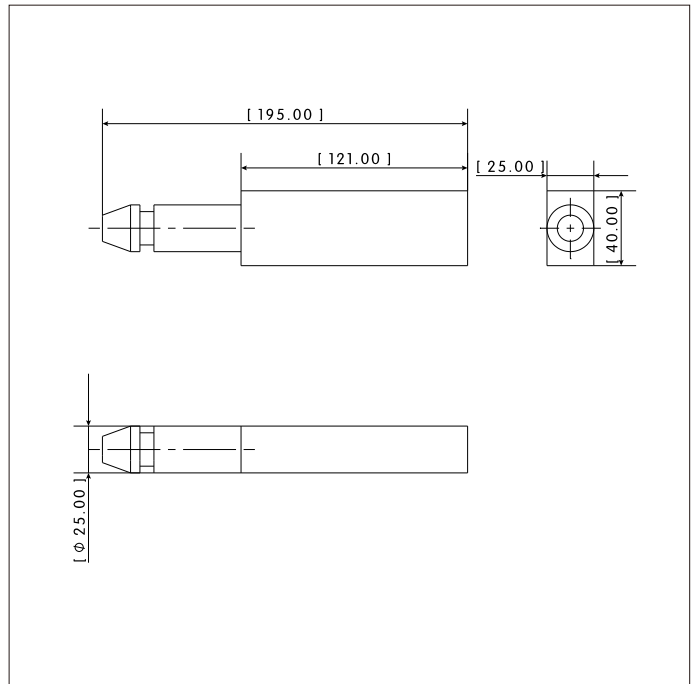
Application



AKM-IDL-B | Idle Station Bayonet



Dimensions



Features

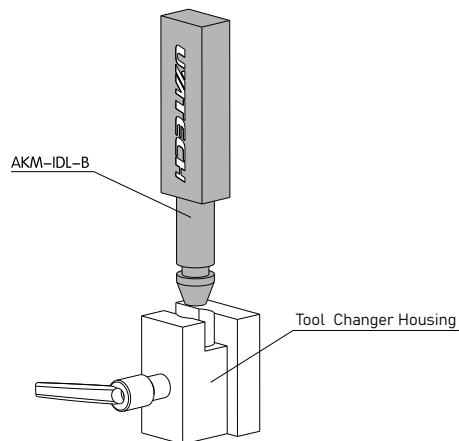
- Material: Steel
- Operation Temperature: -20 C...80 C
- Surface Treatment : Blackening
- Weight: 1.2Kg
- Function: Working with flange base to realize quick change in idle station

Ordering Information

Part No.	Ordering Code	Description
AKM-IDL-B	21528105	Idle Station Bayonet

快速连接器

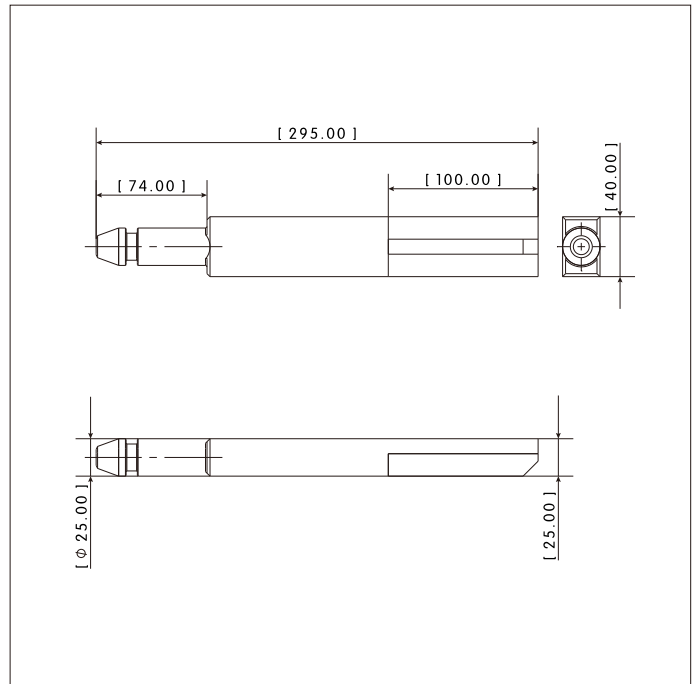
Application



AKM-TYL | Tool Changer Bayonet



Dimensions



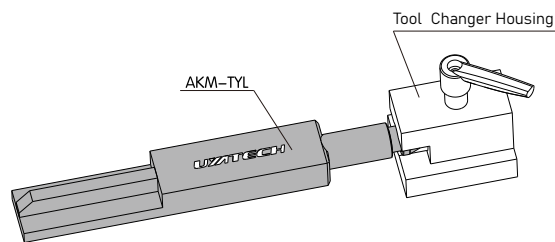
Features

- Material: Steel
- Operation Temperature: -20 C...80 C
- Surface Treatment : Blackening
- Weight: 1.63Kg
- Function: Working with tool changer housing to realize quick change in transfer press automation

Ordering Information

Part No.	Ordering Code	Description
AKM-TYL	21528106	Tool Changer Bayonet

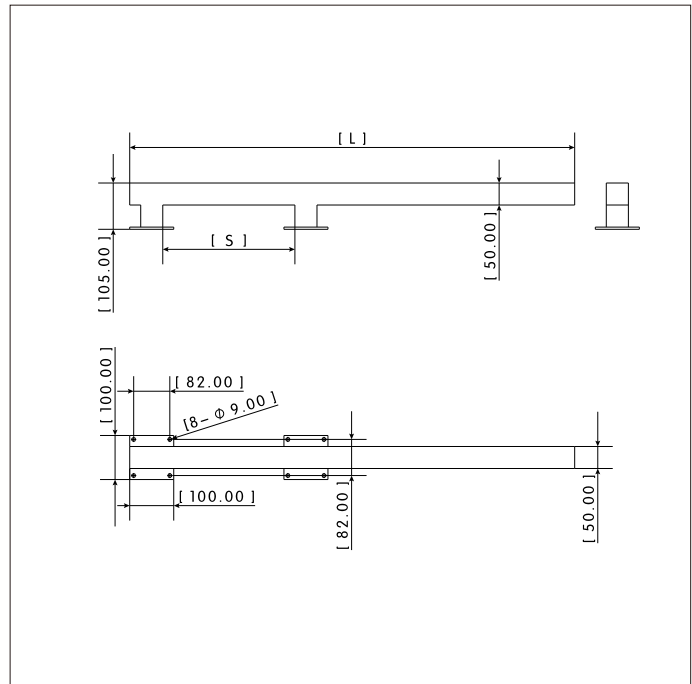
Application



FAB-50-L-S | Hot-stamping Frame



Dimensions



Features

- Material: Steel
- Operation Temperature: -20 C...80 C
- Surface Treatment : Yellow painting
- Function: Working with hot-stamping facility to realize quick change of hot-stamping tooling

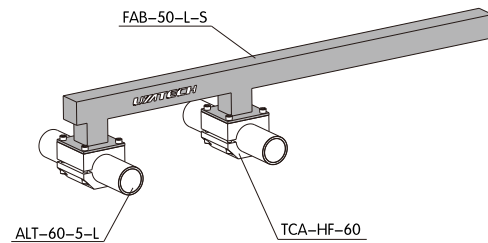
Ordering Information

Part No.	Ordering Code	Description	L	S
FAB-50-L-S	33212201	Hot-stamping Frame (L\S can be customized)	1000-2000	300-500

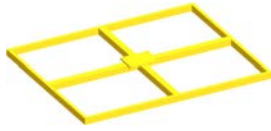
Relative Products



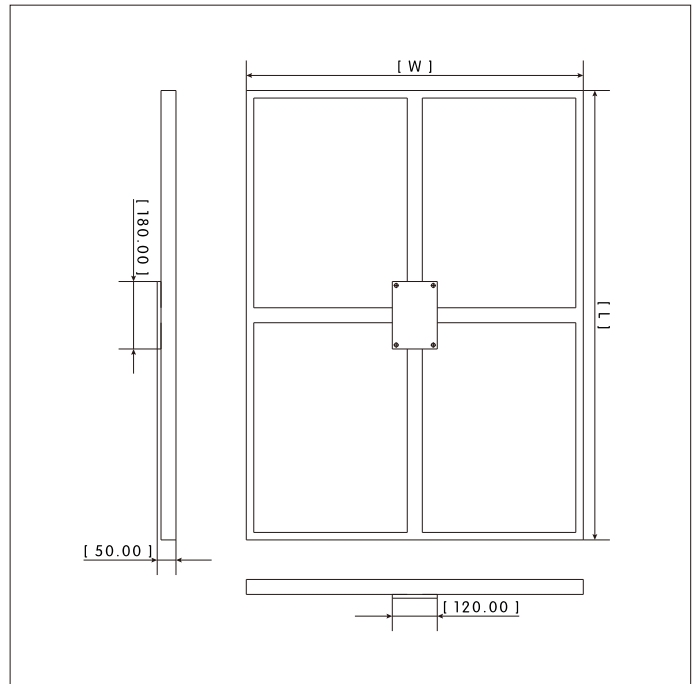
Application



FRM-W-L | Destacking Frame



Dimensions



Features

- Material: Steel
- Operation Temperature: -20 C...80 C
- Surface Treatment : Yellow painting
- Function: Working with FRM-BSE to realize quick changer of destacking tooling

Ordering Information

Part No.	Ordering Code	Description	W	L
FRM-W-L	33736102	Destacking Frame (W/L can be customized)	700-2000	700-2000

Relative Products

Spring Plunger

SPG-0T

---

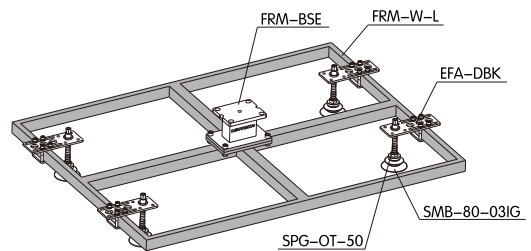
Frame Changer

FRM-BSE

Spring Plunger Bracket

EFA-DBK

Application



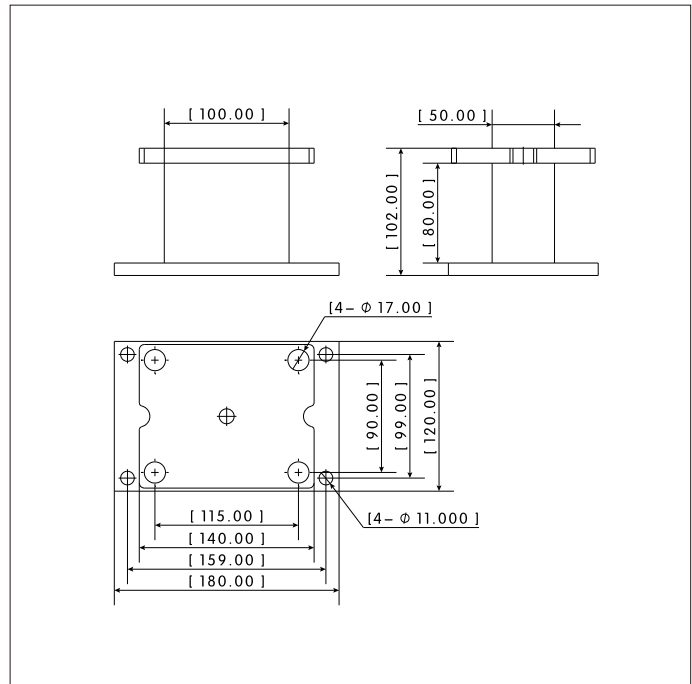
FRM-BSE | Destacking Frame Changer



Features

- Material: Steel
- Operation Temperature: -20 C...80 C
- Surface Treatment : Blackening
- Function: Working with FRM-W-L to realize quick changer of destacking tooling

Dimensions



Ordering Information

Part No.	Ordering Code	Description
FRM-BSE	33736103	Destacking Frame Changer

Relative Products

Spring Plunger

SPG-0T

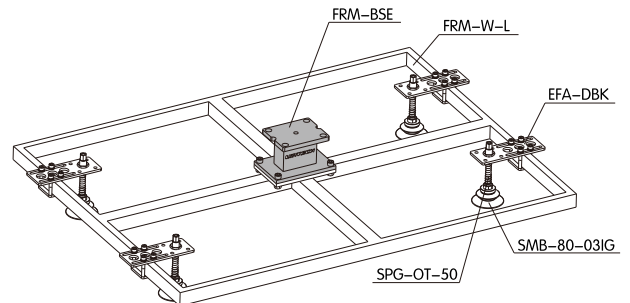
Destacking Frame

FRM-W-L

Spring Plunger Bracket

EFA-DBK

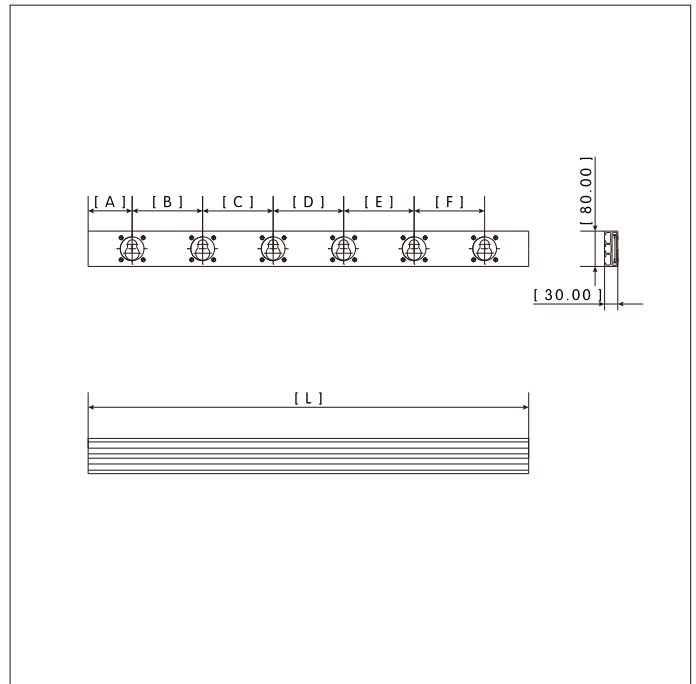
Application



TPB-L-A/B/C/.../F | Transfer Press Profile



Dimensions



Features

- Material: Aluminum, steel
- Operation Temperature: -20 C...80 C
- Surface Treatment : Anodized with sand blasting, blackening
- Function: Working with transfer bar to realize quick changer of transfer press tooling

Ordering Information

Part No.	Ordering Code	Description	L	A/B/C.../F
TPB-L-A/B/C/.../F	81712201	Transfer Press Profile (L, A/B/C/.../F can be customized)	800-2500	50-1500

Relative Products

Transfer Profile Base



TCA-PF

---

φ30 Steel Tube



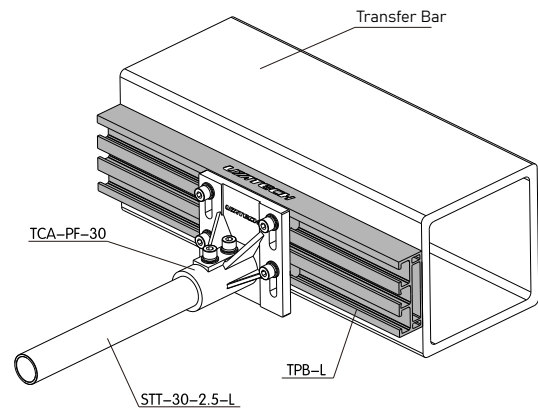
STT-30-2.5-L

Transfer Profile Base



TCS-PF

Application

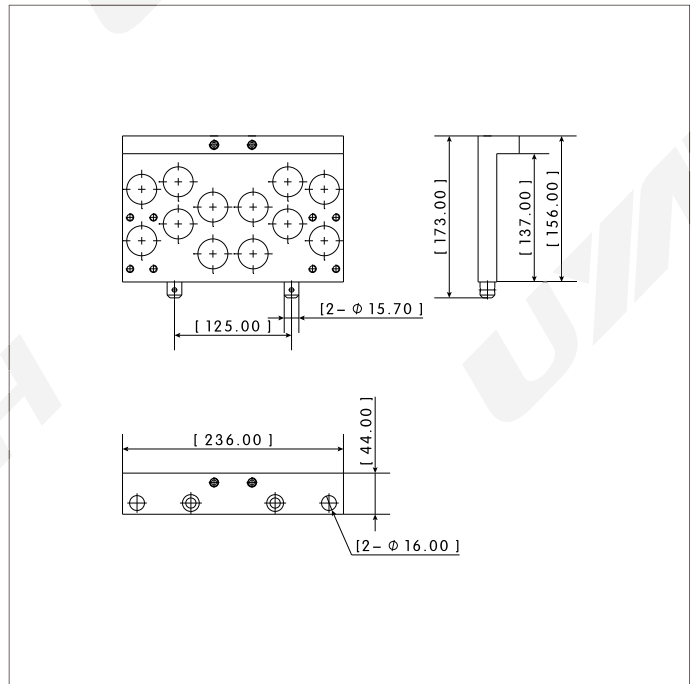




GSA-60-A2 | Tool Changer Plate



Dimensions



Features

- Material: Aluminum, steel
- Operation Temperature: -20 C...80 C
- Surface Treatment : Anodized with sand blasting, blackening
- Weight: 1.8Kg
- Function: Working with tool changer plate to realize quick change in hot stamping

Ordering Information

Part No.	Ordering Code	Description
GSA-60-A2	41742102	Tool Changer Plate

Relative Products

φ60 Transition Clamp

TCA-GSP-60

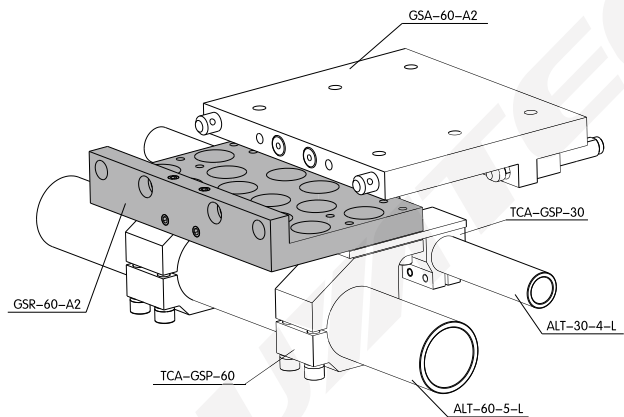
Tool Changer Plate

GSR-60-A2

Transition Clamp

TCA-GSP

Application



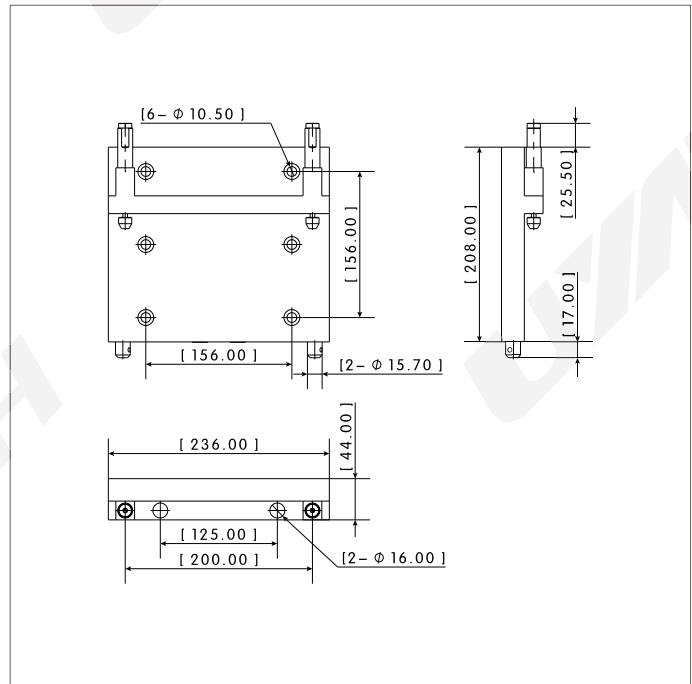
GSR-60-A2 | Tool Changer Plate



Features

- Material: Aluminum, steel
- Operation Temperature: -20 C...80 C
- Surface Treatment : Anodized with sand blasting, blackening
- Weight: 3.5Kg
- Function: Working with tool changer plate to realize quick change in hot stamping

Dimensions



Ordering Information

Part No.	Ordering Code	Description
GSR-60-A2	41747302	Tool Changer Plate

Relative Products

$\phi 60$  Transition Clamp

TCA-GSP-60

Tool Changer Plate

GSA-60-A2

Transition Clamp

TCA-GSP

Application

